



# PRODUCT CATALOGUE

**BEST**  
SAFETY  
SYSTEMS.

**EXOSPHERE**  
ANCHOR

**Sky-X-Stand**

**ANSI  
CSA  
EN**

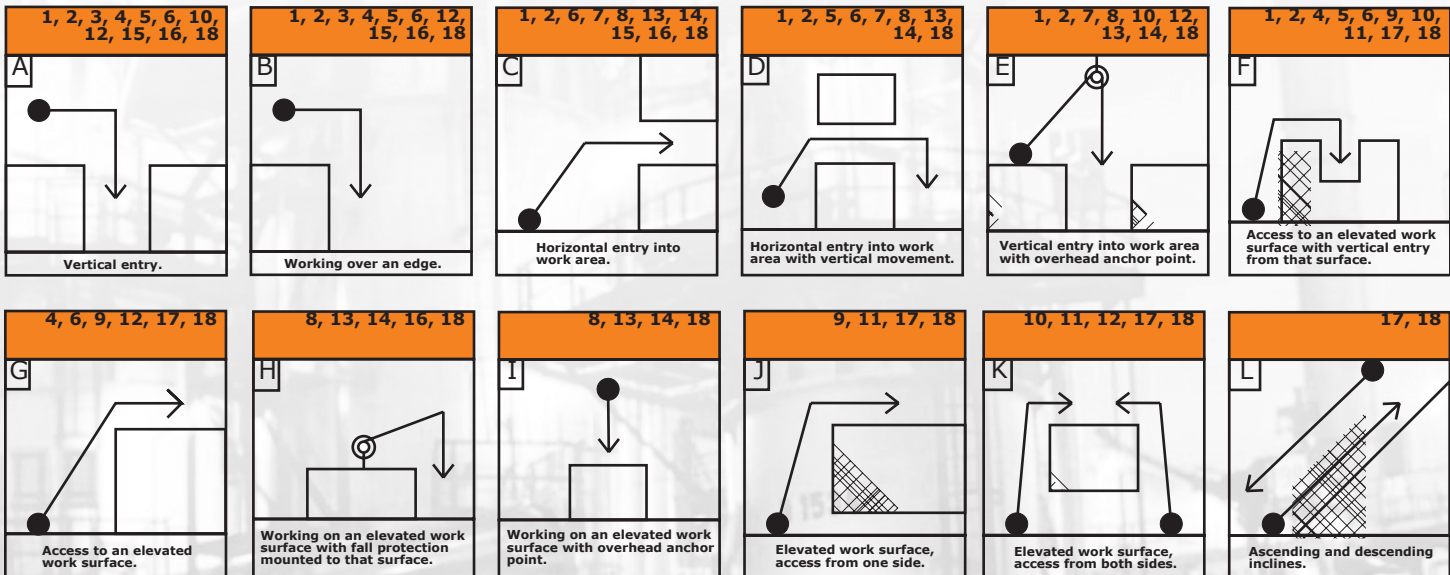






## PRODUCT CATEGORY PAGE INDEX

CATEGORY	PAGE	CATEGORY	PAGE
1. Winches & Accessories	3, 4	11. Platforms & Baskets	23, 24
2. Self Retracting Lifelines & Accessories	5, 6	12. Portable Anchor Points & Restricted Space Davit Systems	25, 26, 27, 28
3. Tripods & Accessories	7	13. Handrailing Systems & Accessories	29, 30
4. Hoist, Davits & Accessories	8, 9, 10	14. Horizontal Rail & Trolley Systems	31, 32
5. Portable Bases	11, 12	15. Rescue Systems & Accessories	33, 34
6. Permanent Bases	13, 14	16. Portable Fall Arrest Anchor Posts	35, 36
7. Pole Hoists & Horizontal Entry Systems	15, 16	17. Tuff-Step Access Stairs	37, 38, 39, 40, 41
8. Beam Clamps & Anchor Points	17, 18	18. Exosphere Customizable Portable Fall Protection Anchor Systems	42, 43, 44, 45, 46
9. Mobile Access Stair Systems with Fall Protection	19, 20	19. Exosphere Highway Trailer Fall Protection System	47, 48
10. A-Frames, Quad Frames & C-Frames	21, 22	20. Exosphere All Terrain 4x4 Fall Protection Anchor System	49, 50



**Tuff Built Products Inc. is owned and operated by some of the world’s most innovative contributors in the fall protection safety industry.**

**With over 50 years of collective experience in the design, manufacture, and installation of cutting-edge solutions to industry problems, our developments have been the benchmark models for products in our industries.**

**From portable anchorage structures to flexible access solutions, we set the standard to which our competitors aspire.**

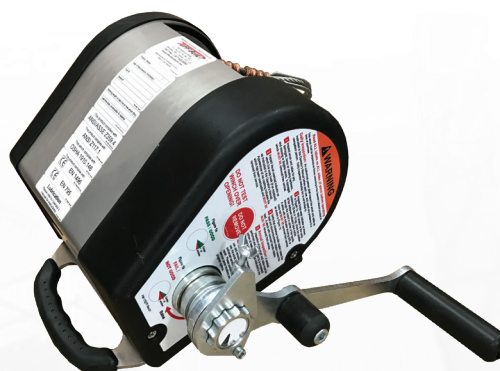
**Our expansive product line offers solutions to your most challenging requirements, and our Best Design Service can tailor the finished product to your exact specifications.**

**We respect the unique needs of your organization, and we look forward to the opportunity to help make your workplace safer.**

Pro-Series winches are available in a variety of lengths and finishes. These winches are specifically designed for personnel handling in a wide range of confined space, fall protection, and rescue applications.

## Features of Pro-Series Winches

- 1 Comes standard with mounting brackets and ergonomic carrying handle
- 2 Brake wear indicator
- 3 Cranking handle (removable)
- 4 Secondary brake [Meets ANSI Z359.4 - 2013 requirements]
- 5 Hardened steel drive gears
- 6 High impact resistant plastic cover



**Pro-Series Winches have protection from the cable winding in the wrong direction preventing it from possible free fall.**

## Best Hoist Pro-1 Series Winch



Part #	Cable	Cable Length	Weight	Price
60217	3/16" [5mm] Stainless Steel	60 ft. (18m)	30.8 lbs (14kgs)	
60218		100 ft. (30m)	33.4 lbs (15.2kgs)	
60219	3/16" [5mm] Galvanized Steel	60 ft. (18m)	30.8 lbs (14kgs)	
60220		100 ft. (30m)	33.4 lbs (15.2kgs)	

## Best Hoist Pro-2 Series Winch



Part #	Cable	Cable Length	Weight	Price
60221	3/16" [5mm] Stainless Steel	150 ft. (45m)	39.6 lbs (18kgs)	
60222		200 ft. (60m)	42.8 lbs (19.5kgs)	
60223	3/16" [5mm] Galvanized Steel	150 ft. (45m)	39.6 lbs (18kgs)	
60224		200 ft. (60m)	42.8 lbs (19.5kgs)	

## Best Hoist Pro-3 Series Winch



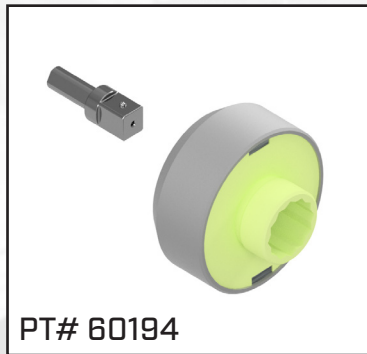
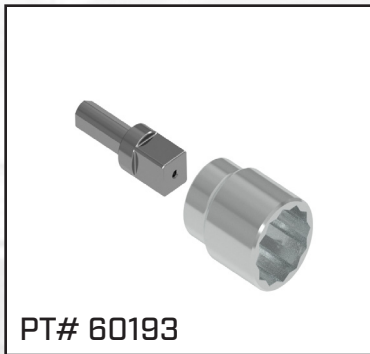
Part #	Cable	Cable Length	Weight	Price
60225	3/16" [5mm] Stainless Steel	250 ft. (76m)	49 lbs (22.3kgs)	
60226		300 ft. (90m)	52.2 lbs (23.8kgs)	
60227	3/16" [5mm] Galvanized Steel	250 ft. (76m)	49 lbs (22.3kgs)	
60228		300 ft. (90m)	52.2 lbs (23.8kgs)	

Specifications are subject to change without notice.



## Best Hoist Winch Power Drive Attachments

Part #	Description	Price
60197	Kit; 4:1 Gear reduction w/direct drive	
60193	Kit; Direct drive	
60194	Kit; Direct drive w/overload clutch	
60195	Kit; 4:1 Gear reduction w/overload clutch	
60196	Kit; Direct drive	
60248	Pro-Series Winch crank handle (removable handle w/snap ring)	



## Best Hoist Winch Bags

Part #	Description	Price
40005	Bag, Pro-1/Pro-2	
40006	Bag, Pro-3	



## Self Retracting Lifelines and Accessories

Tuff-Line Self-Retracting Lifelines (SRLS) are available in various lengths and lifeline constructions, with or without retrieval capability for rescue.

All Tuff-Line SRLS come equipped with durable plastic or aluminium casting, swivel anchorage eye, with galvanized or stainless steel wire cable.

### Tuff-Line Lite Self-Retracting Lifelines (Polymer Casing) ANSI

Tuff-Line Lite Self-Retracting Lifelines with retrieval are a fall arrest block available in polymer casing with a locking pin at the base of the handle allowing dual system to work in independent fall arrest & winch modes.

Part #	Cable	Cable Length	Retractable	Weight	Price
60547	3/16" (5mm) Galvanized Steel	100 ft (30.5m)	Yes	30.0 lbs (13.6 kgs)	
60548		60 ft (18.2m)	Yes	22.4 lbs (10.2 kgs)	
60549		50 ft (15.2m)	No	17.7 lbs (8.0 kgs)	
60550		10 ft (3.0m)	No	5.6 lbs (2.5 kgs)	



### Tuff-Line Self Retracting Lifelines (Aluminium Casing) EN

Part #	Cable	Cable Length	Retractable	Weight	Price
60051	3/16" (5mm) Galvanized Steel	20 ft (6.1m)	No	10.3 lbs (4.7 kgs)	
60053		32 ft (9.8m)	No	11.7 lbs (5.3 kgs)	
60055		49 ft (14.9m)	No	19.6 lbs (8.9 kgs)	
60056	3/16" (5mm) Stainless Steel	49 ft (14.9m)	Yes	22.5 lbs (10.2 kgs)	
60057	3/16" (5mm) Galvanized Steel	49 ft (14.9m)	Yes	22.5 lbs (10.2 kgs)	



Specifications are subject to change without notice.



## Self Retracting Lifelines (Plastic Casing) CSA

Part #	Cable	Cable Length	Retractable	Weight	Price
60348	3/16" [5mm] Galvanized Steel	20 ft (6.1m)	No		
60349		30 ft (9.1m)	No		
60350		50 ft (15.2m)	No		
60578		50 ft (15.2m)	Yes		



## Mounting Brackets & Accessories

Part #	Description	Used With	Price
60035	Carabiner (ANSI, CSA, EN)	Any Tuff-Line Series SRL's	
60176	Bracket, SRLR Tuff Klik Mount w/ Carry Handle (49/R)	60055, 60056, and 60057	
60326	Tagline, 20 ft (6m)	60051	
60327	Tagline, 32 ft (10m)	60053	
60328	Tagline, 49 ft (15m)	60055, 60056, 60057, and 60054	
60551	Device Bracket	60547 and 60548	
60579	Device Bracket	60578	
40005	SRL Carrying Bag	Fits All SRL Devices	

Other manufacturer brackets are available. Please call us for more information.



# Tripods and Accessories

Tripods remain the first choice for economical compliance in many basic confined space and fall arrest applications. Tuff Built's Pro-Series Tripods provide outstanding value in a lightweight package featuring "Tuff-Klik" pin-less adjustment.

**World's only  
3-Stage Tripod!**



**TUFF-KLIK®**

**This product complies with : EN 1496, EN795, ANSI Z117.1, ANSI/ASSE Z359.4, and OSHA 1910.146**



**PT# 30012**

Part #	Model	Maximum Height	Collapsed Height	Weight (lbs/Kgs)	Price
30013	Pro-1 Tripod, 7' 2 Stage (w/One pulley and Chain)	89" [2.26m]	59" [1.49m]	32.0 / 14.5	
30012	Pro-2 Tripod, 7' 3 Stage (w/One pulley and Chain)	89" [2.26m]	48" [1.22m]	36.5 / 16.6	
30014	Pro-3 Tripod, 10' 3 Stage (w/One pulley and Chain)	119" [3.02m]	61" [1.55m]	43.5 / 19.8	
20008	Pro-4 Tripod Rescue, 10' 3 Stage (w/Rescue Base)	119" [3.02m]	61" [1.55m]	82.0 / 37.3	
30307	Compliance Tripod, 7' 2 Stage	89" [2.26m]	58" [1.47m]	38.0 / 17.2	

## Pro-Series Options

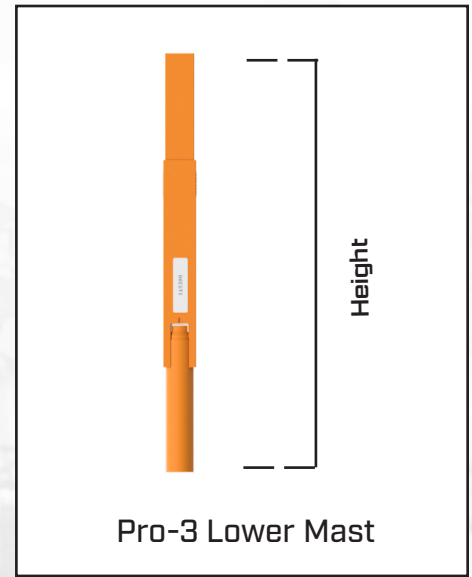
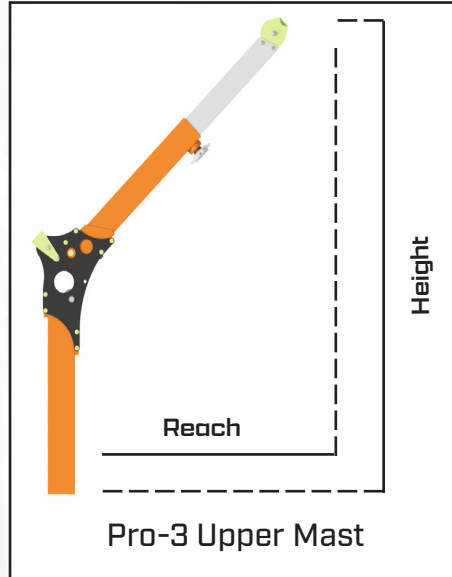
Part #	Description	Price
40001	Carrying Bag, Pro-1 & Pro-3 Tripods	
40002	Carrying Bag, Pro-2 Tripods	
30173	Tripod Pulley Assembly (extra pulley for Pro-2 & Pro-3)	
30198	Tripod Pulley Assembly (extra pulley for Pro-1)	
30172	Tripod feet with rubber	
60101	Bracket, Tuff Klik Structure #2 (for use on Pro-1 & Pro-3 Tripods)	
60102	Bracket, Tuff Klik Structure #3 (for use on Pro-2 Tripods)	
30175	Single Re-Direct Pulley	



**PT# 40002**



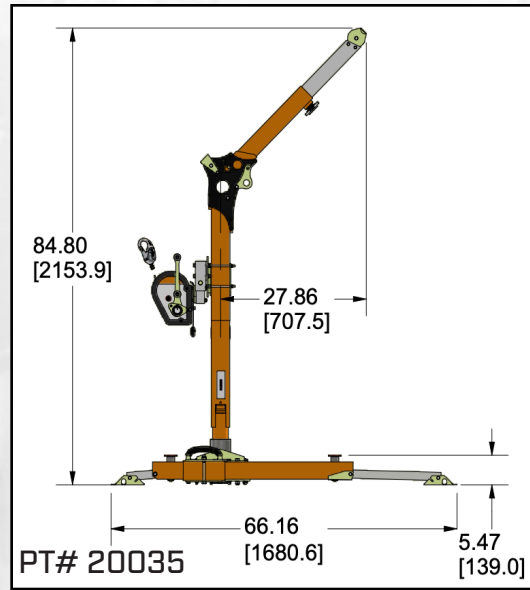
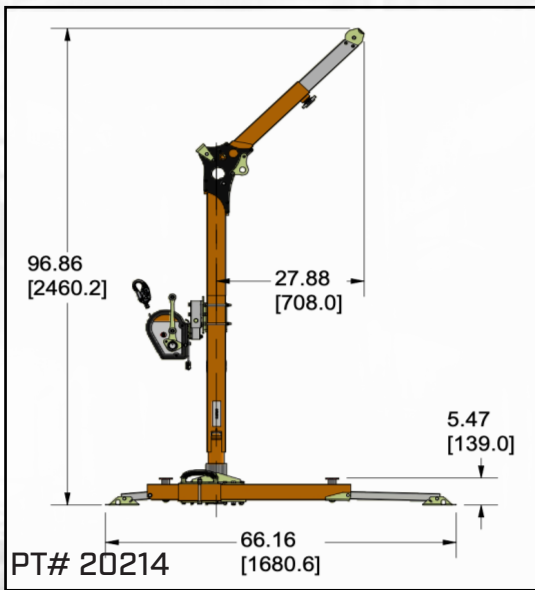
Pro-3 Series davits have a unique modular design that allows the davit to be light weight, yet high in strength. Designed with an integrated, easy to set fall brake system and the ability to mount mechanical devices front and rear.



Part #	Model	Reach	Height	Winch/SRL Mount	Weight	Price
30104	Pro-3 Davit, Upper Mast	19.50" (50cm) to 29.00" (74cm)	46" (117cm) to 55.75" (142cm)	Rear/Front	21lbs (9.5kgs)	
30105	Pro-3 Davit, Upper Mast		58" (147cm) to 66.75" (170cm)	Rear/Front	25lbs (11.4kgs)	
30106	Pro-3 Davit		76.5" (194cm) to 85.5" (217cm)	Rear/Front	31lbs (14.1kgs)	
30107	Pro-3 Davit (Base choice restricted)		99.75" (253cm) to 108.5" (275cm)	Rear/Front	32lbs (14.2kgs)	
30108	Pro-3 Davit, Lower Mast	-	40" (102cm)	-	12lbs (5.4cm)	
30109	Pro-3 Davit, Lower Mast	-	52" (132cm)	-	16lbs (7.3kgs)	
30178	Anchor Points for Pro-3 Davit	-	-	-	0.45lbs (0.02kgs)	
30175	Single Re-Direct Pulley	-	-	-	1.12lbs (0.51kgs)	
60141	Structure Bracket (Tuff-Klik)	-	-	-	7.5lbs (3.4kgs)	
60553	Structure Bracket (for polymer devices)	-	-	-		

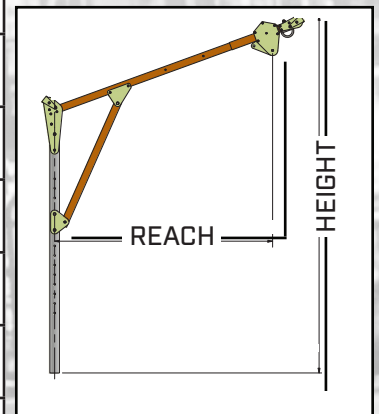
**Packages:**

Part #	Model	Reach	Height	Davit/Mast	Base	Winch	Structure Bracket	Weight	Price
20035	Pro-3 Hoist System, Davit 28R-84H (Upper & Lower Mast) w/portable Base, winch & bracket (6pc)	28" [71cm]	84" [213cm]	30104/30108	30070	60217	60141	129 lbs [58.5kgs]	
20036	Pro-3 Hoist System, Davit 28R-84H (1pc Mast) w/ portable base, winch & bracket (5pc)	28" [71cm]	84" [213cm]	30106				129 lbs [58.5kgs]	
20214	Pro-3 Hoist System, Davit 28R-98H (Upper & Lower mast) w/portable base, winch & bracket (6pc)	28" [71cm]	98" [249cm]	30104/30109				135 lbs [61.3kgs]	
20092	Pro-3 Hoist System, Davit 28R-54H (Upper & Lower mast) w/portable base & bracket (4pc)	28" [71cm]	84" [213cm]	30104/30108		-	98 lbs [44.5kgs]		
20113	Pro-3 Hoist System, Davit 28R-54H (Upper & Lower mast) w/portable base (3pc)	28" [71cm]	84" [213cm]	30104/30108		-	-	95 lbs [43.2kgs]	



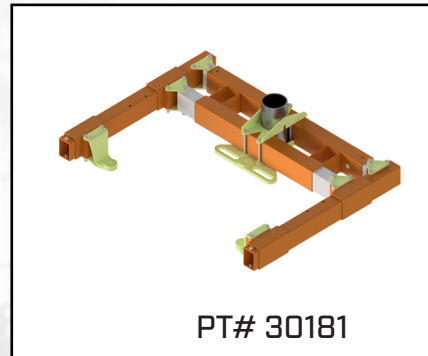
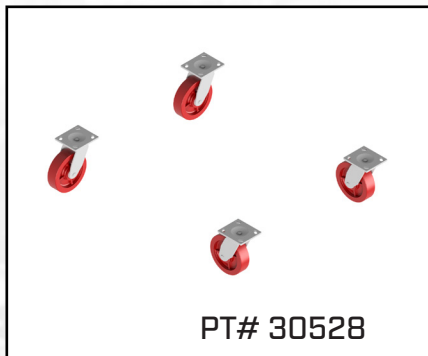
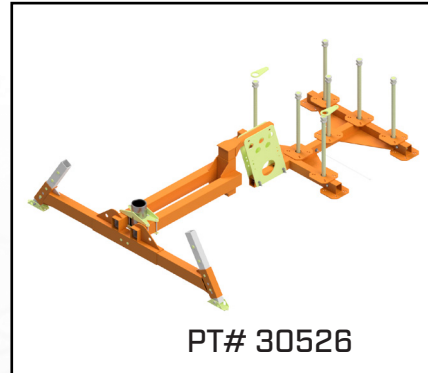
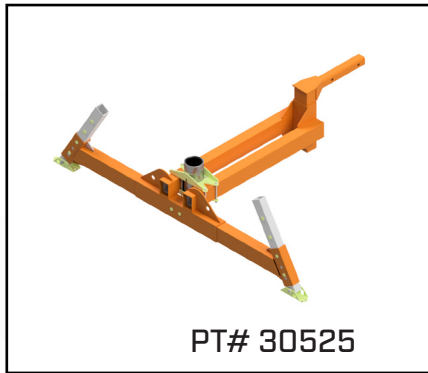
**Analog Davits**

Part #	Description	Reach	Height	Winch Mount	Weight	Price
50048	Analog Davit w/ adjustable cable offset	73" [185cm]	112" [284cm]	Rear/Anchor	105 lbs [47.6kgs]	
50174	Analog Davit	73" [185cm]	112" [284cm]	Rear/Anchor	100 lbs [45.5kgs]	
30557	Analog Davit	48" [122cm]	86" [219cm]	Rear/Anchor	70 lbs [31.8kgs]	
60294	Structure Bracket (Tuff-Klik)	-	-	-	8.2 lbs [3.7kgs]	
60571	Structure Bracket (for polymer devices)	-	-	-	3.6 lbs [1.7kgs]	



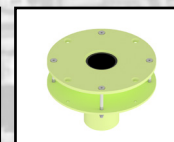
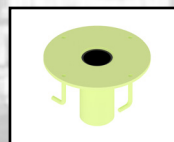
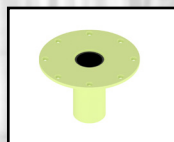
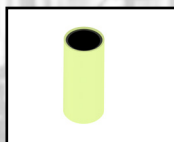
Analog davits can only be used with permanent bases. See category 6 for all permanent bases.





Part #	Model	Weight	Price
30181	Pro-3 Base, Bolt-On Flange	63 lbs [28.6kgs]	
30525	Pro-3 Base, Hitch Mount	65 lbs [29.5kgs]	
30526	Pro-3 Base, Counterweight Rack System	150 lbs [68.2kgs]	
30528	Pro-3 Base, Counterweight Rack Wheel Kit	48 lbs [21.8kgs]	
30542	Pro-3 Base, Rail Bridge Rescue (w/30525)	100 lbs [45.5kgs]	

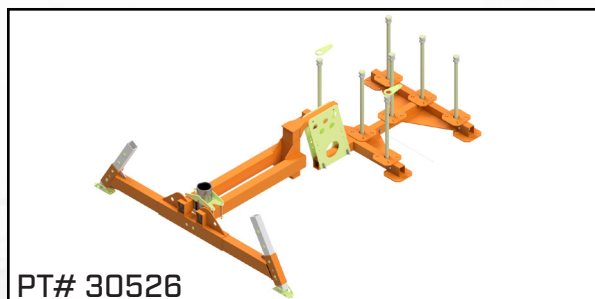
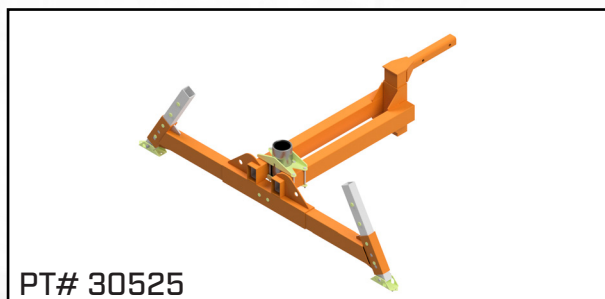
Permanent



Finish	Core Mount	Flush Floor Mount [Existing Concrete]	Flush Floor Mount [Fresh Concrete]	Floor Mount	Deck Mount	Cap
Hot Dip Galvanized (Mild Steel)	30061	30018	30043	30048	30081	N/A
304 SS	30063	30022	30024	30030	30082	30069
316 SS	30064	30038	30039	30047	30083	30068

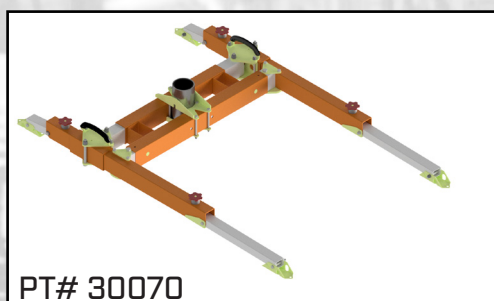
Pro-Series portable davit bases allow for easy set up and use at multiple location with no need for permanent installations. Various designs are available, including free standing, counterweighted, clamp-on, or vehicle mounted systems.

## Hitch Mount Base



Part #	Description	Weight	Price
30525	Pro-3 Base, Hitch Mount w/leveling legs	65 lbs (29.5kgs)	
30526	Pro-3 Base, Counterweight Rack System	150lbs (68.2kgs)	
*All portable bases must be used with Pro-3 Davits			
<b>Add-Ons:</b>			
30528	Counterweight Wheel Kit	48lbs (21.8kgs)	
30354	Hitch Adapter/Extension	4 lbs (1.8kgs)	
30477	Rail Clamp-on	28 lbs (12.7kgs)	

## Pro-3 Base, Portable

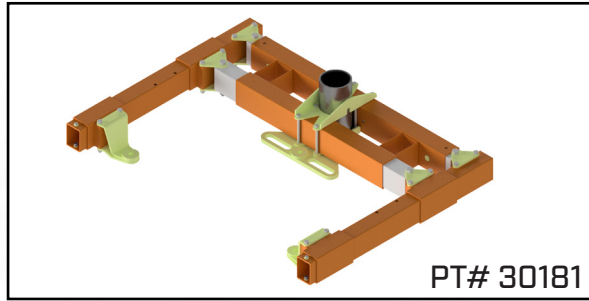


Part #	Description	Weight	Price
30070	Pro-3 Base, Portable Base	61 lbs (27.7kgs)	
<b>Add-Ons:</b>			
78032	Guardrail Kit (Aluminium)	40 lbs (18.0kgs)	
71031	Guardrail Kit (Powder Coated Yellow)	40 lbs (18.0kgs)	





## Pro-3 Flange Bases



PT# 30181



PT# 30189

Part #	Description	Weight	Price
30181	Pro-3 Base, Bolt-On Flange	63 lbs (28.6kgs)	
30189	Pro-3 Base, External Tank Collar	67 lbs (30.0kgs)	
*All Portable Bases must be used with Pro-3 Davits.			

## Barrel Mounts

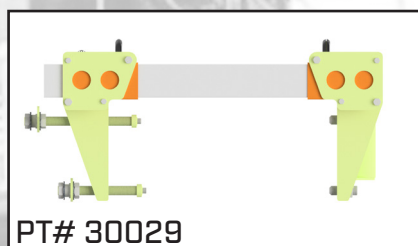
Part #	Description	Finish	Weight	Price
30525	Barrel Mount Base, Fixed (2.00" Throat) A=0.19" to 2.00" (0.00mm to 50.8mm)	CS-500	43 lbs (19.5kgs)	
30045		304 SS	45 lbs (20.3kgs)	
30044		316 SS	45 lbs (20.3kgs)	
30161	Barrel Mount Base, Fixed (5.00" Throat) A=0.19" to 5.00" (0.00mm to 127mm)	CS-500	45.7 lbs (20.6kgs)	
30192		304 SS	47.7 lbs (21.5kgs)	
30193		316 SS	47.7 lbs (21.5kgs)	
30166	Barrel Mount Base, Fixed (7.00" Throat) A=0.19" to 7.00" (0.00mm to 181mm)	CS-500	47.5 lbs (21.4kgs)	
30195		304 SS	49.5 lbs (22.3kgs)	
30196		316 SS	49.5 lbs (22.3kgs)	
30029	Adjustable Barrel Mount		98 lbs (44.5kgs)	



PT# 30029 w/ 30105 & 30109



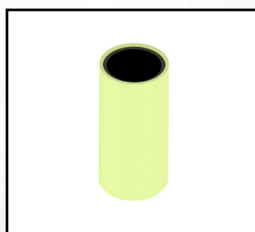
PT# 30161



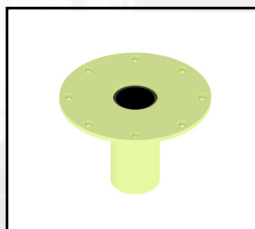
PT# 30029

Pro-Series Permanent davit bases are designed for permanent installations at locations where repeated or frequent use is required. Permanent bases are available in a variety of designs, finishes and materials to meet your specific requirements. Custom Permanent Bases can be designed to meet your specific application requirements. Call us for more information.

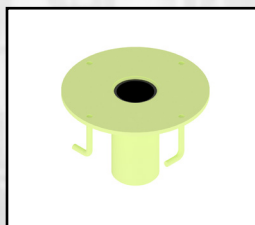
**Flush Floor Mount Base**



Base Type	Part #	Material	Finish	Weight	Price
Base, Core Mount	30061	Mild Steel	Hot Dip Galvanized	6.5 lbs (2.9kgs)	
	30063	304 SS	Sandblasted	7.8 lbs (3.5kgs)	
	30064	316 SS	Sandblasted	7.8 lbs (3.5kgs)	



Base Type	Part #	Material	Finish	Weight	Price
Base, Flush Mount (Existing Concrete)	30018	Mild Steel	Hot Dip Galvanized	17.1 lbs (7.8kgs)	
	30022	304 SS	Sandblasted	18.7 lbs (8.5kgs)	
	30038	316 SS	Sandblasted	18.7 lbs (8.5kgs)	



Base Type	Part #	Material	Finish	Weight	Price
Base, Flush Floor Mount (Fresh Concrete)	30043	Mild Steel	Hot Dip Galvanized	18.5 lbs (8.4kgs)	
	30024	304 SS	Sandblasted	20.1 lbs (9.2kgs)	
	30039	316 SS	Sandblasted	20.1 lbs (9.2kgs)	

**Corner Mount Bases**



Base Type	Part #	Material	Finish	Weight	Price
Base, Corner Mount 8" (Concrete Mount)	30351	Mild Steel	Hot Dip Galvanized	32.3 lbs (14.7kgs)	
	30352	304 SS	Sandblasted	34.6 lbs (15.8kgs)	
	30353	316 SS	Sandblasted	34.6 lbs (15.8kgs)	

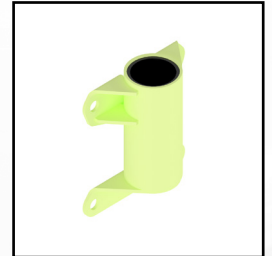


Base Type	Part #	Material	Finish	Weight	Price
Base, Corner Mount 8" (Steel Mount)	30257	Mild Steel	Hot Dip Galvanized	11.8 lbs (5.3kgs)	
	30258	304 SS	Sandblasted	13.8 lbs (6.2kgs)	
	30259	316 SS	Sandblasted	13.8 lbs (6.2kgs)	



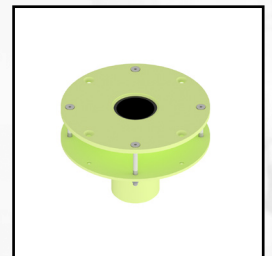
## Wall Mount Bases

Base Type	Part #	Material	Finish	Weight	Price
Base, 4 Point Wall Mount	30054	Mild Steel	Hot Dip Galvanized	10.3 lbs (4.7kgs)	
	30033	304 SS	Sandblasted	11.9 lbs (5.4kgs)	
	30053	316 SS	Sandblasted	11.9 lbs (5.4kgs)	



## Deck Mount Bases

Base Type	Part #	Material	Finish	Weight	Price
Base, Deck Mount	30081	Mild Steel	Hot Dip Galvanized	24.3 lbs (10.9kgs)	
	30082	304 SS	Sandblasted	26 lbs (11.7kgs)	
	30083	316 SS	Sandblasted	26 lbs (11.7kgs)	



## Floor Mount Bases

Base Type	Part #	Material	Finish	Weight	Price
Base, Floor Mount	30048	Mild Steel	Hot Dip Galvanized	19.8 lbs (8.9kgs)	
	30030	304 SS	Sandblasted	21.8 lbs (9.9kgs)	
	30047	316 SS	Sandblasted	21.8 lbs (9.9kgs)	



## Sleeve Caps

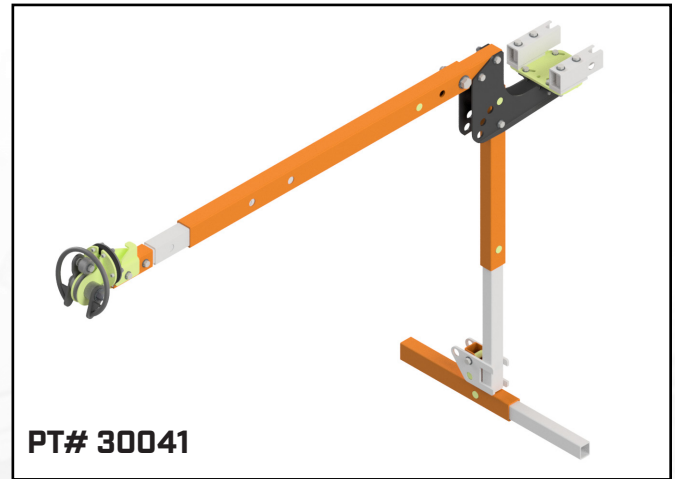
Base Type	Part #	Material	Finish	Weight	Price
Base, Cap	30019	Mild Steel	CS-500	1.11 lbs (0.51kgs)	
	30069	304 SS	Sandblasted	1.13 lbs (0.52kgs)	
	30068	316 SS	Sandblasted	1.13 lbs (0.52kgs)	



## Pole Hoist Systems

Pole Hoists allow for vertical or horizontal confined space entry-retrieval, rescue, as well as fall protection and work positioning. The Pole Hoist uses a single anchor point near the work area while the attendant remains safely back from any hazard.

Pro-Series Pole Hoists feature “Tuff-Klik” pin-less adjustment, which eliminates lost or damaged locking pins.



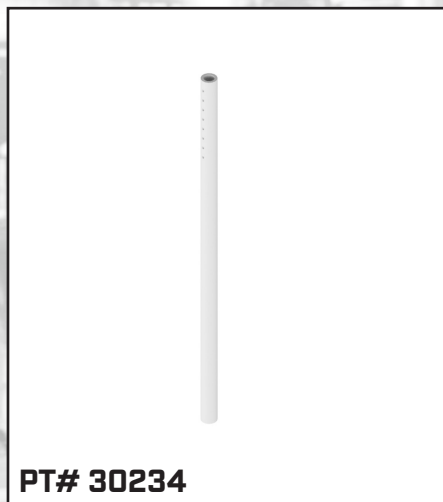
**PT# 30041**

Part #	Description	Weight	Price		
30041	Best Hoist Pro-1, Pole Hoist 5-7' 3 Stage	30 lbs (13.6kgs)			
60580	Cable Guide Assembly Bracket (2 Devices)	27 lbs (12.3kgs)			
30553	Flange Anchor Bracket (0.25"-2")	10 lbs (4.6kgs)			
<b>Packages:</b>					
Part #	Package Contains	Pole Hoist	Winch PT#	Bracket PT#	Price
20041	Pro-1 Pole Hoist w/Winch & Winch Bracket	30041	60217	60162	

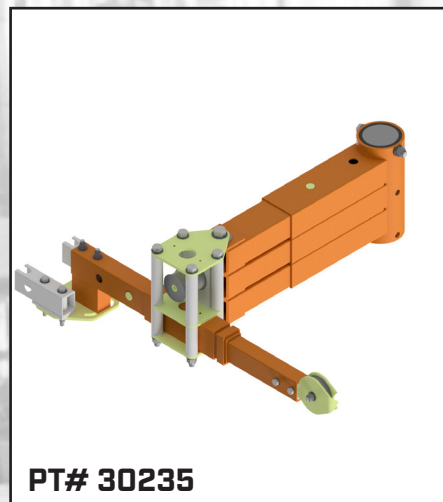
## Horizontal Entry Systems

Horizontal Entry System is designed for confined space entry/retrieval and rescue operations involving horizontal entries with vertical positioning or retrieval required inside the space.

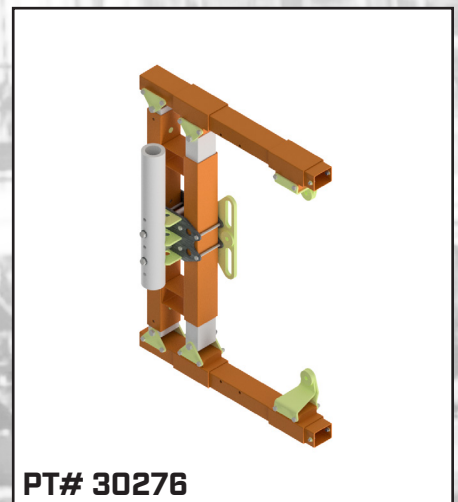
The Horizontal Entry System may be used with a Clamp-On or Bolt-On Tank Collar Base for adaption to different manholes. The External Clamp-On Base with Mast (30321) can be assembled for left and right entry requirements.



**PT# 30234**

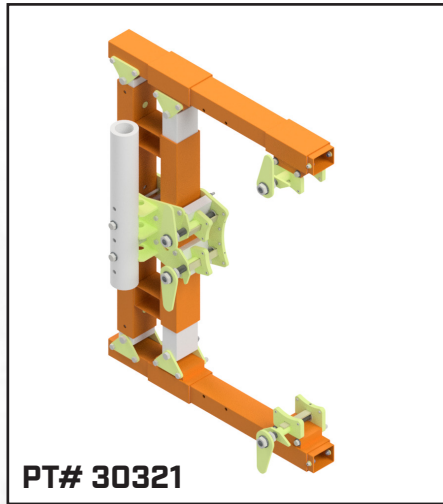


**PT# 30235**



**PT# 30276**

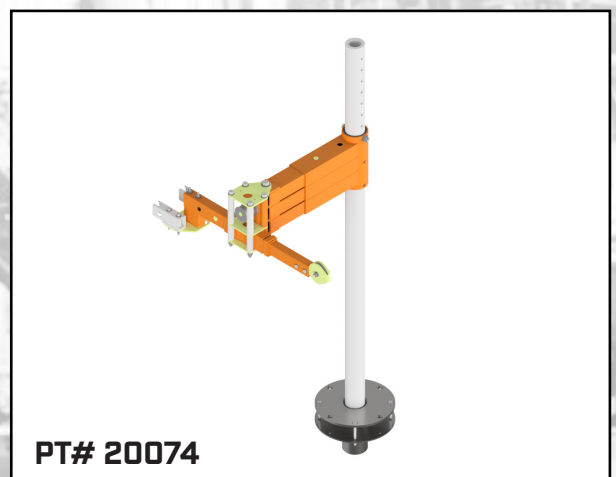
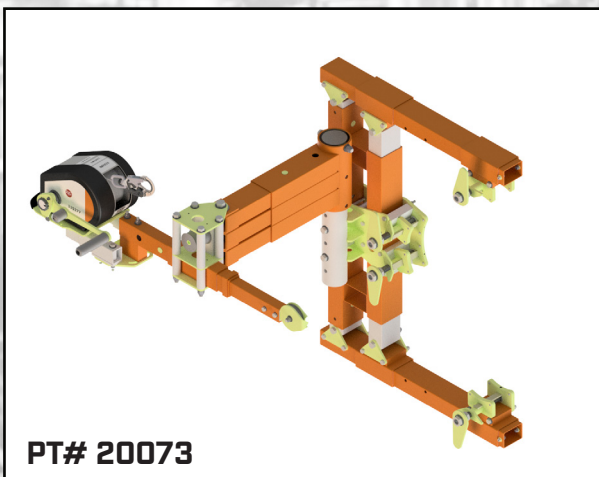




Part #	Description	Weight	Price
30234	Support Mast, 72" (1829mm)	27.5 lbs (12.5kgs)	
30235	Horizontal Entry Arm	37 lbs (16.8kgs)	
30276	Base, Bolt-On Horizontal Entry w/Mast (30303)	71 lbs (32.3kgs)	
30288	Rescue Platform for PT#20073	55 lbs (25kgs)	
30321	Base, Clamp-On Horizontal Entry w/Mast (30303)	80 lbs (36.4kgs)	
60211	Bracket, SRL w/Retrieval Capability Mount	4 lbs (1.8kgs)	

**Packages:**

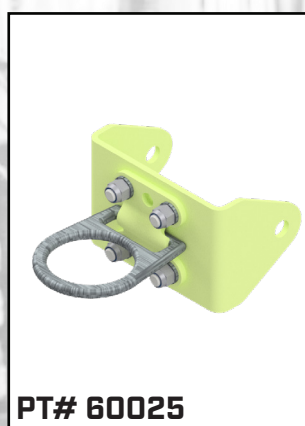
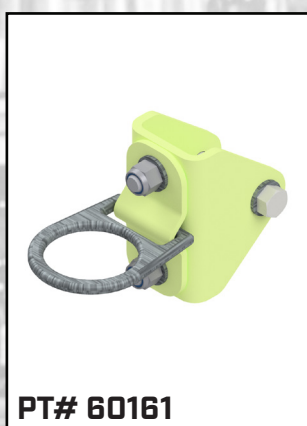
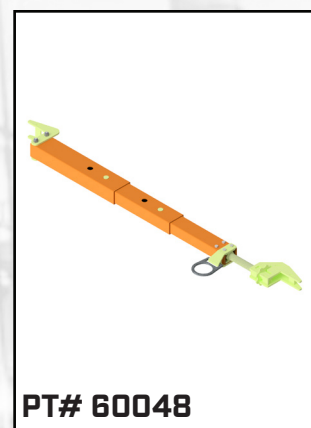
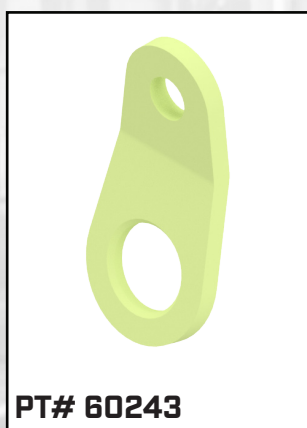
Part #	Description	Weight	Price
20073	Package, Horizontal Entry System (30235, 30321, 60217)	151 lbs (68.6kgs)	
20074	Package, Horizontal Entry System (30235, 30081, 30234)	87 lbs (39.5kgs)	



## Anchor Points

Tuff Built Products offers a variety of products designed to place anchor points where they are needed to support fall arrest, entry retrieval, rescue and work positioning systems.

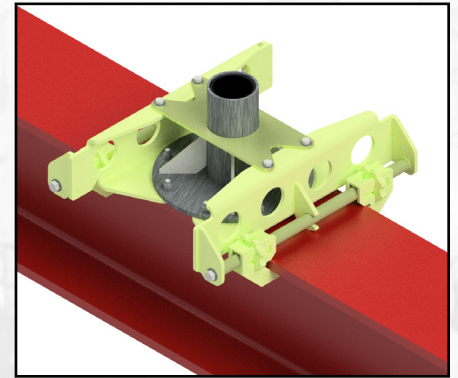
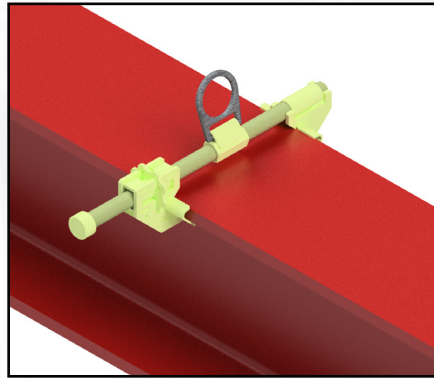
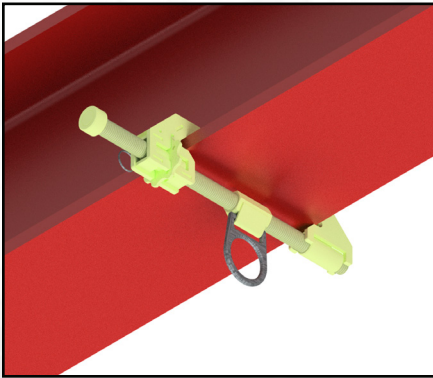
Part #	Description	Weight	Price
60243	Tie -Off Rings (Bolt On) 5/8 x 1.00 (Mild Steel CS-500)	0.30 lbs (0.14 kgs)	
60244	Tie -Off Rings (Bolt On) 1/2 x 1.00 (Mild Steel CS-500)	0.30 lbs (0.14 kgs)	
60245	Tie -Off Rings (Bolt On) 3/8 x 1.00 (Mild Steel CS-500)	0.30 lbs (0.14 kgs)	
60048	Brace, Pro-1 Door/Window 22" to 43" (56cm to 110cm)	13 lbs (5.9 kgs)	
60049	Anchor Point, Bolt on D-Ring (Mild Steel CS-500)	0.88 lbs (0.40 kgs)	
60161	Anchor Point, Bolt on D-Ring (Mild Steel CS-500)	3.5 lbs (1.6 kgs)	
60025	Anchor Point, Bolt on D-Ring (Mild Steel CS-500)	2.3 lbs (1.0 kgs)	
60292	Anchor Point, Bolt on D-Ring (304 SS)	0.7 lbs (0.31 kgs)	





## Beam Clamps

Part #	Description	Weight	Price
30165	Sleeve, CS-500 ("I" Beam Clamp on Sleeve) 7" to 14"	65 lbs (29.5 kgs)	
60037	Anchor, Pro-1 - "I" Beam Clamp 5" to 14" (127mm to 356mm)	6 lbs (2.7 kgs)	
60038	Anchor, Pro-2 - "I" Beam Clamp 5" to 30" (127mm to 762mm)	8 lbs (3.6 kgs)	
60039	Anchor, Pro-1 - "I" Beam Slider 5" to 14" (127mm to 356mm)	8 lbs (3.6 kgs)	

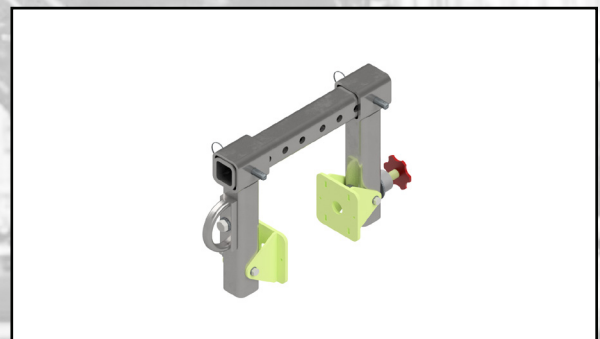
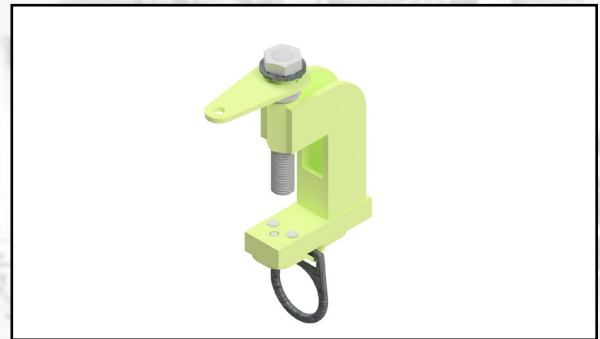


## Work Positioning Chair

## Custom Designs

Part #	Description	Weight	Price
40004	Work Positioning Chair	7 lbs (3.2kgs)	

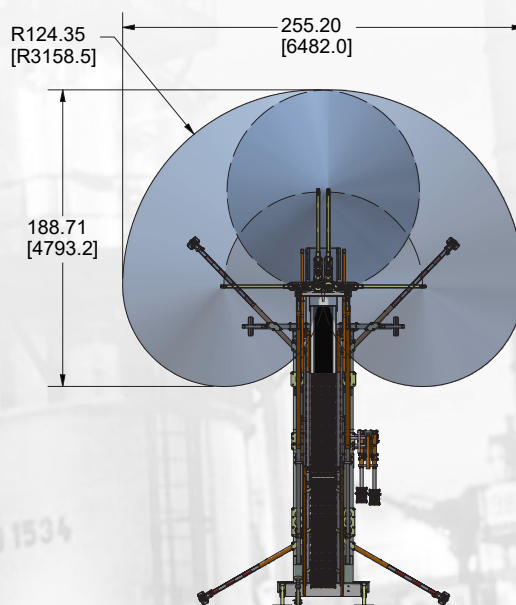
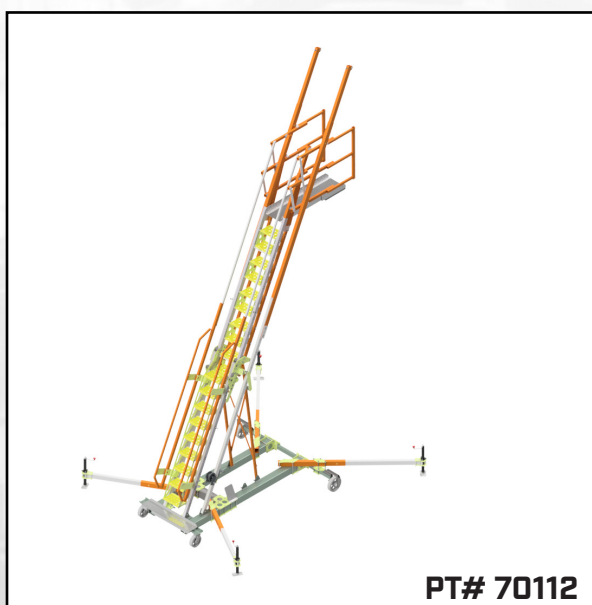
Custom designs to fit your requirements are available. Please call for more information.



# Mobile Stair Systems with Fall Protection

Products Mobile Access Stair Systems (M.A.S.S.) provide a portable means of accessing elevated work areas with a fully functional stairway versus a conventional ladder. The Mobile Access Stair System (M.A.S.S.) offers a wide variety of optional railing, cages, and anchor structures to provide ground-up fall protection for your elevated work activities. Freestanding Access Stair Systems (F.S.A.S.S.) are height adjustable from 141" to 216" (to the entrance platform), the stairway design creates safer access to elevated work areas while carrying tools, and the anchor points adjust with the entrance platform.

## Freestanding Access Stair Systems (F.S.A.S.S.)

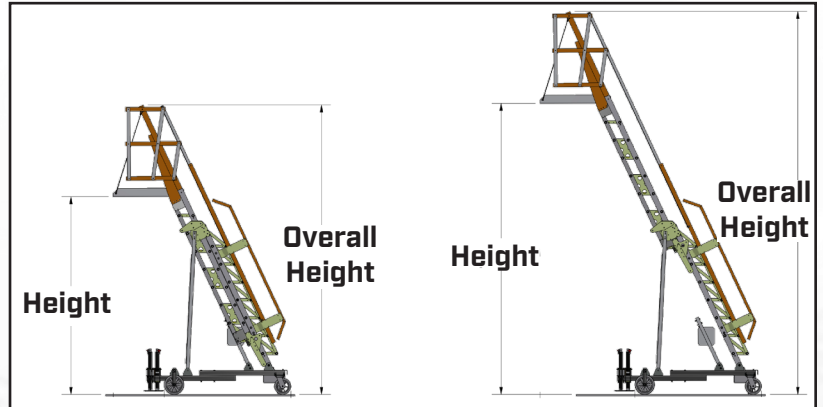


Part #	Model	Height	Wheels	Weight	Price
70110	F.S.A.S.S., 141/216H-2A-RM	114" [290cm]- 180" [457cm]	Rubber Mold-On	1920 lbs [873kgs]	
70111	F.S.A.S.S., 129/215H-2A-RM	86" [218cm]- 123" [312cm]	Rubber Mold-On	1510 lbs [687kgs]	
70112	F.S.A.S.S., 119/184H-2A-RM	114" [290cm]- 180" [457cm]	Rubber Mold-On	1850 lbs [841kgs]	
70442	F.S.A.S.S., 171/293H-2A-MR-TH-HYD Manual Hydraulic Adjustment w/ umbrella	86" [218cm]- 123" [312cm]	Rubber Mold-On	3120 lbs [1418kgs]	
70443	F.S.A.S.S., 141/218H-2A-MR-TH w/ umbrella	114" [290cm]- 180" [457cm]	Rubber Mold-On	2010 lbs [914kgs]	

## Mobile Access Stair Systems (M.A.S.S.)



**PT# 70075 w/ 20198**



Part #	Model	Height	Overall Height	Wheels	Weight	Price
70075	M.A.S.S., 111/177H-RM	120" [305cm]- 177" [450cm]	176" [447cm]- 233" [592cm]	Rubber Mold-On	1225 lbs [557kgs]	
70076	M.A.S.S., 84/121H-U	84" [213]- 121" [307]	139" [353cm]- 176" [447cm]	Rubber Mold-On	1000 lbs [455kgs]	

### Build Options:

**\*Build options can be added to 70075 & 70076**

Part #	Description	Weight	Price
20009	Rescue Tripod with Winch (Cage not included)	148 lbs [67kgs]	
20014	Davits (2) w/Anchor points (2)	136 lbs [62kgs]	
20015	Rail 10' w/Anchor points (2)	193 lbs [88kgs]	
20039	Cage 72" diameter (Round)	60 lbs [27kgs]	
20134	Cage 60" x 154" (Rectangular)	210 lbs [96kgs]	
20198	Cage 60" x 154" (Rectangular w/platform)	405 lbs [184kgs]	



**PT# 20009**



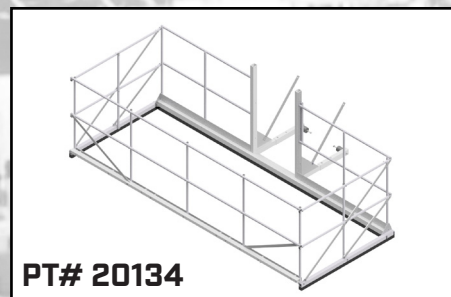
**PT# 20014**



**PT# 20015**



**PT# 20039**

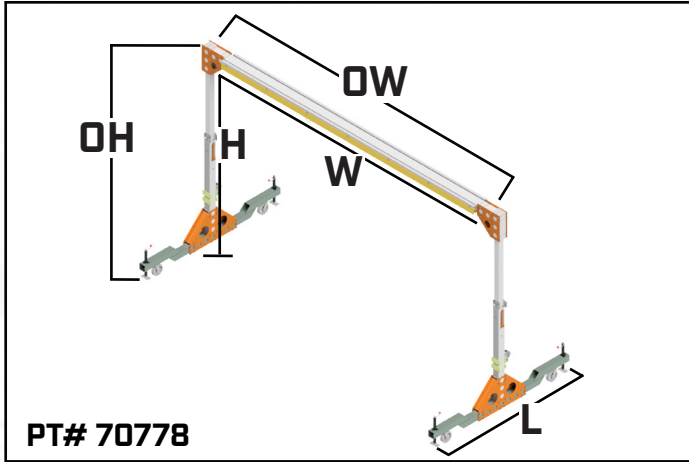


**PT# 20134**



**A-Frame**

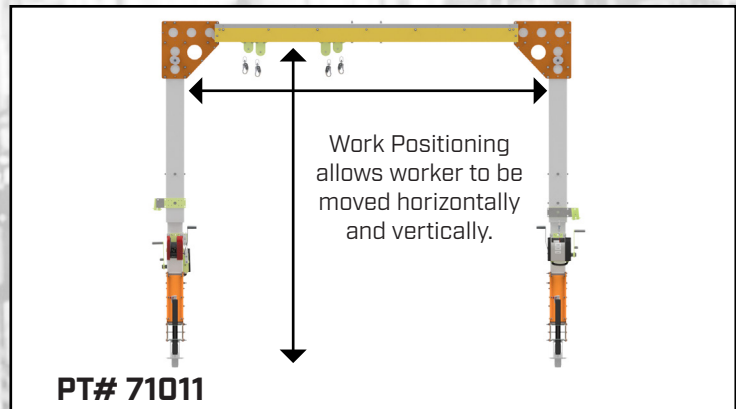
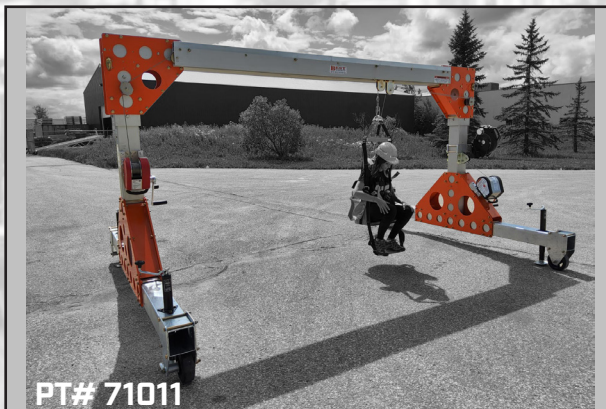
The A-Frame systems roll over equipment/structures requiring access to provide ground-up fall protection for your elevated work activities. Custom A-Frame sizes available upon request.



Part #	Model	W	H	OH	L	OW	Wheels	Price
70777	A-Frame, 19W-23H-1R-1A-RM	234"	275"	285"	196"	250"	Rubber Mold-On	
70778	A-Frame, 17W-20H-2R-2A-RM	206"	312" or 239"	324" or 251"	196"	230"	Rubber Mold-On	
70787	A-Frame, 20W-23H-2R-2A-RM	240"	276"	286"	196"	263"	Rubber Mold-On	

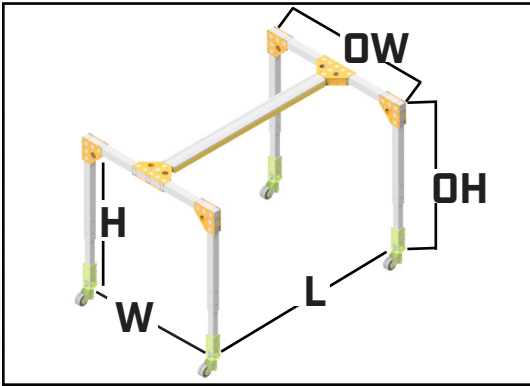
**Packages:**

71011	A-Frame w/ Work Position Assembly, 10L-10H-2R-2A-RM	120"	121"	144"	152"	171"	Rubber Mold-On	
71013	A-Frame w/ Winch Adjustable Mast 10/15H-25W-2R-2A-RM	300"	171"	124" - 184"	144"	318"	Rubber Mold-On	



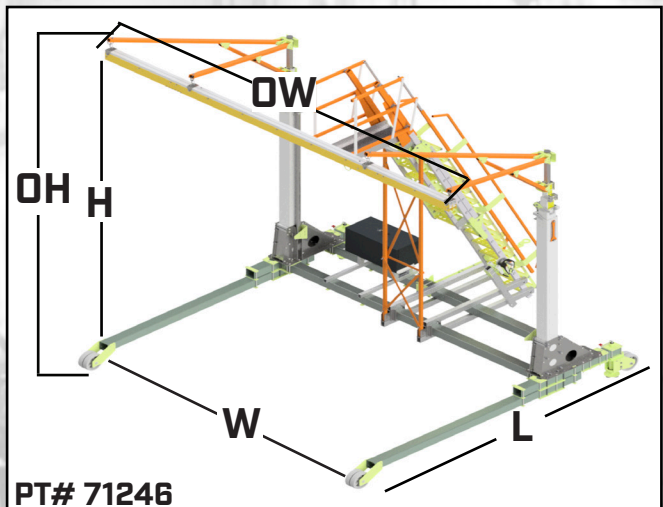
## Quad Frame

Quad Frame systems roll over equipment/structures requiring access providing ground up fall protection for your elevated work activities. Custom Quad-Frame sizes available upon request.



Part #	Model	W	H	OH	L	OW	Wheels	Price
70631	Quad-Frame, 13W-19L-14H-2R-2A-RM	134"	167"	158"	241"	136"	Rubber Mold-On	
70763	Quad-Frame, 13W-27L-14H-2R-2A-RM	134"	158"	168"	345"	157"	Rubber Mold-On	
70779	Quad-Frame, 19W-27L-20H-2R-2A-RM	206"	239" or 312"	255" or 328"	341"	230"	Rubber Molden	

## C-Frame

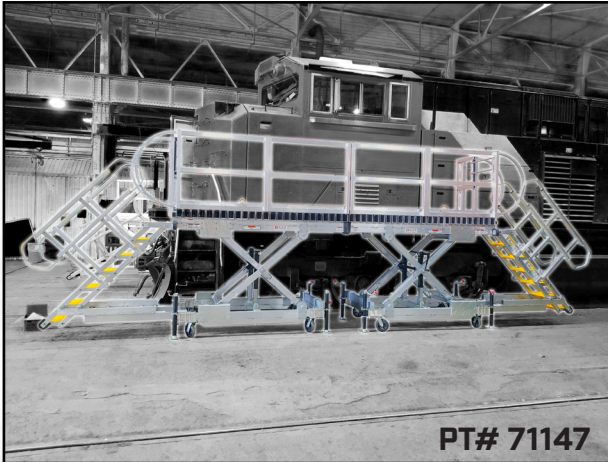


Part #	Model	W	H	OH	L	OW	Wheels	Price
71296	C-Frame, 15W - 12 to 21H	180"	145" - 256"	166" - 277"	201"	240"	Rubber Mold-On	
71246	C-Frame, 15W - 17 to 30H w/ adjustable access stairs	180"	213" - 366"	228" - 384"	201"	240"	Rubber Mold-On	



## Platforms

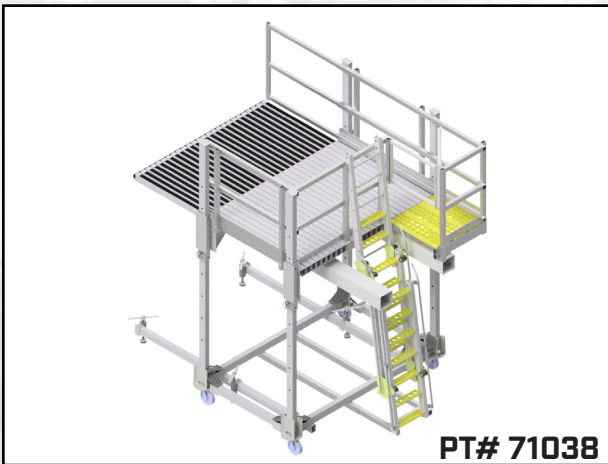
Platforms allow workers safe access for difficult to reach areas. These platforms are designed to securely contour the edge of the equipment being worked on to eliminate all potential holes.



PT# 71147



PT# 71147



PT# 71038



PT# 71038

Part #	Model	Working Surface Width	Overall Width	Working Surface Height	Overall Height	Price
71147	Crank Handle Adjustable Work Platform	18'	29.4'	4.8' - 6.1'	8.3' - 9.7'	
71038	Forklift Adjustable Work Platform	8'	14.7'	4.8' - 6.1'	8.3' - 9.7'	

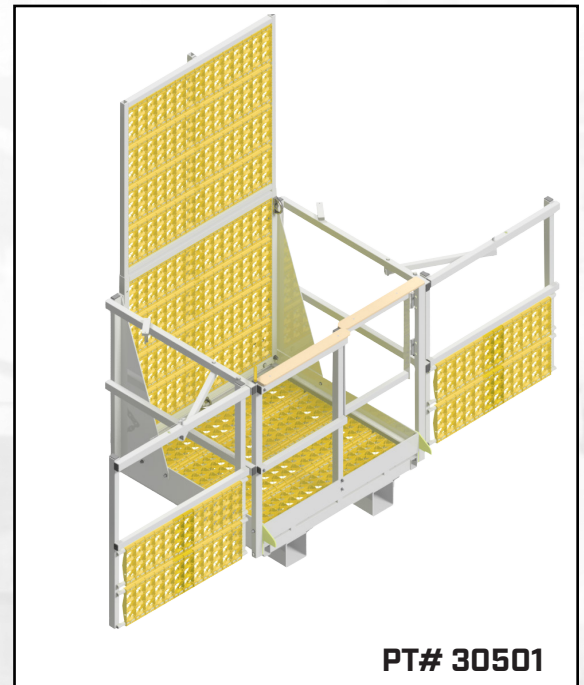


**All platforms come with individual adjusting floor segments to contour the side of the equipment/building being worked on. Each segment comes with a non-slip surface for grip.**



## Forklift Baskets

Forklift baskets provide a safe and functional work platform. This product comes equipped with guardrails, connection point for personal fall arrest, single self-closing door and non-slip tread floor.



Part #	Description	Weight	Price
30501	Work Access Forklift Basket	385 lbs (175kgs)	
30494	Work Access Forklift Basket (w/o wings)	305 lbs (138kgs)	
30556	Work Access Forklift Basket (smaller)	306 lbs (139kgs)	
30560	Sleeve for davit attachment (used on 30501/30494 only)	27 lbs (12.3kgs)	

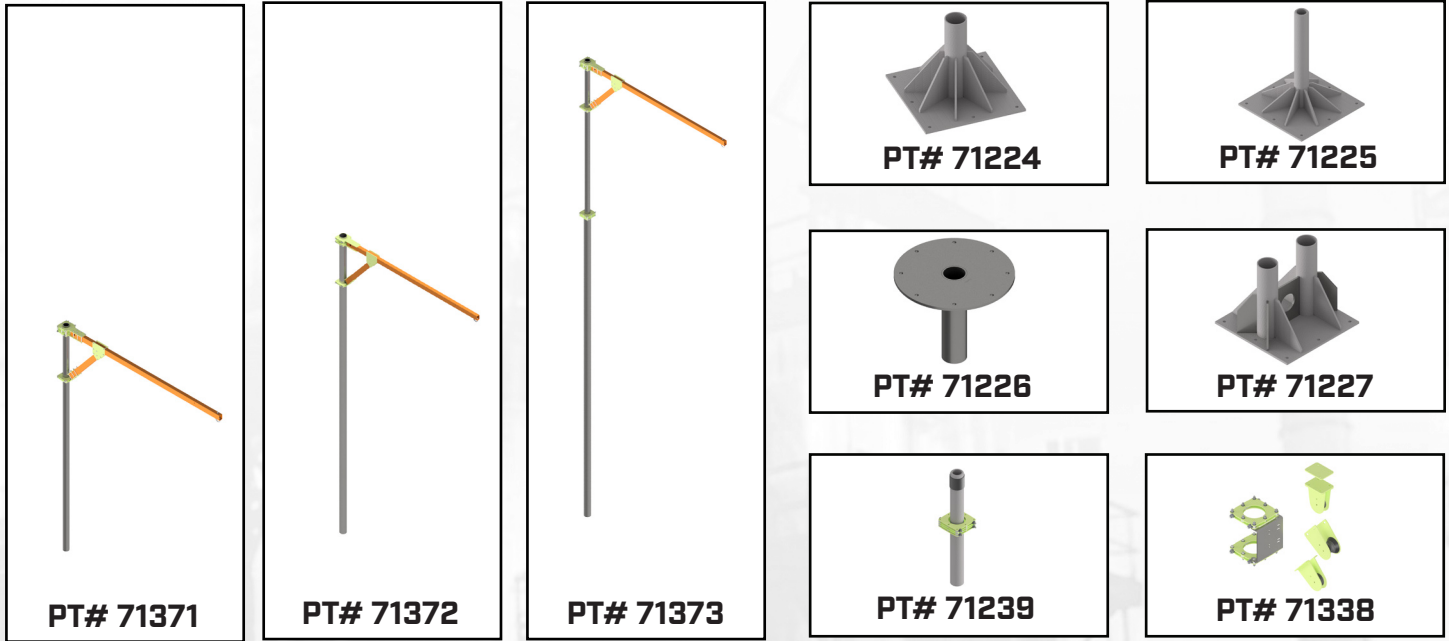
## Custom Designs

Special applications require special solutions. When all else fails, Tuff Built Products "Best Design" service can provide customized products to meet your specific needs.



## PRO-10/200 Restricted Space Davits

The Pro-10/200 Restricted Space Davits allow you to place fall protection anchors where required with minimal disruption to work place layouts and operations. Free standing portable and permanently installed options allow you to pick the solution that is best suited to your facility's individual needs.



Part #	Description	Price
71371	Complete Mast, 4" (102mm) Vertical tube 13' (4m) height, w/10' (3m) Anchor Point Boom	
71372	Complete Mast, 5" (127mm) Vertical tube 19' (6m) height, w/10' (3m) Anchor Point Boom	
71373	Complete Mast, 4" (102mm)/5" (127mm) Adjustable vertical tubes 22'-29' (7-9m), w/10' (3m) Anchor Point Boom	
71239	Connection Post, used for 5" (127mm) tube on 71226, 71224, 71227, 71222	
71224	Sleeve, Square Floor Mount, Accepts 4" (102mm) Mast	
71225	Sleeve, Square Floor Mount, pin style, Accepts 5" (127mm) Mast	
71226	Sleeve, Flush Floor Mount, Round Base, Accepts 4" (102mm) Mast	
71227	Sleeve, Square Floor Mount, Accepts 4" (102mm) Mast, Two Users	
71223	Rail, 20' (6.3m) Includes 1 Trolley	
71273	2 User Trolley Kit (30" Bumper)	
71274	2 User Trolley Kit (72" Bumper)	
71338	Rescue Kit, For 4" Mast Includes: Clamp Bracket w/ Pulleys	
71339	Rescue Kit, For 5" Mast Includes: Clamp Bracket w/ Pulleys	
71541	Rotation Limiter	
71351	Turning Handle	
<b>Packages:</b>		
71237	Single User System w/22'-29' (7-9m) Tall Adjustable Mast w/10' (3m) Anchor Point Boom in 71226 Sleeve	
71240	Single User System w/22'-29' (7-9m) Tall Adjustable Mast w/10' (3m) Anchor Point Boom in 71225 Sleeve	

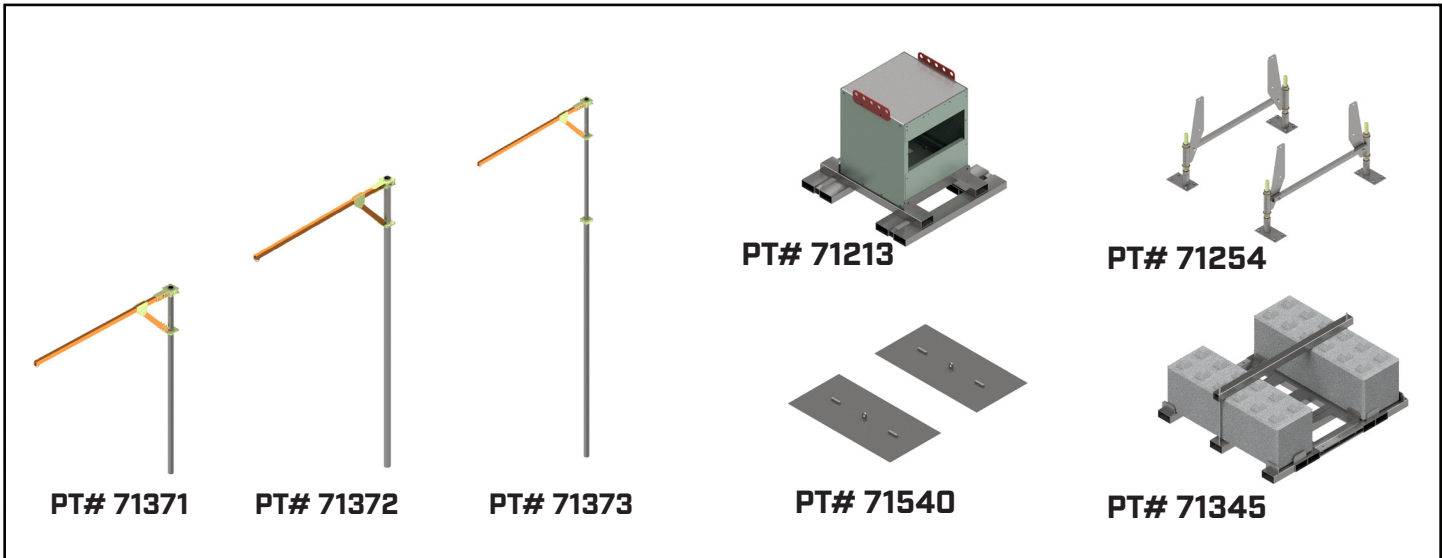


Cube Systems utilize a concrete filled steel box as ballast to support a davit of 13-29 ft tall with a 10 ft anchor point boom reach. A rail can be attached to multiple davits on one cube base or spanned over multiple cube bases to provide overhead anchor points.

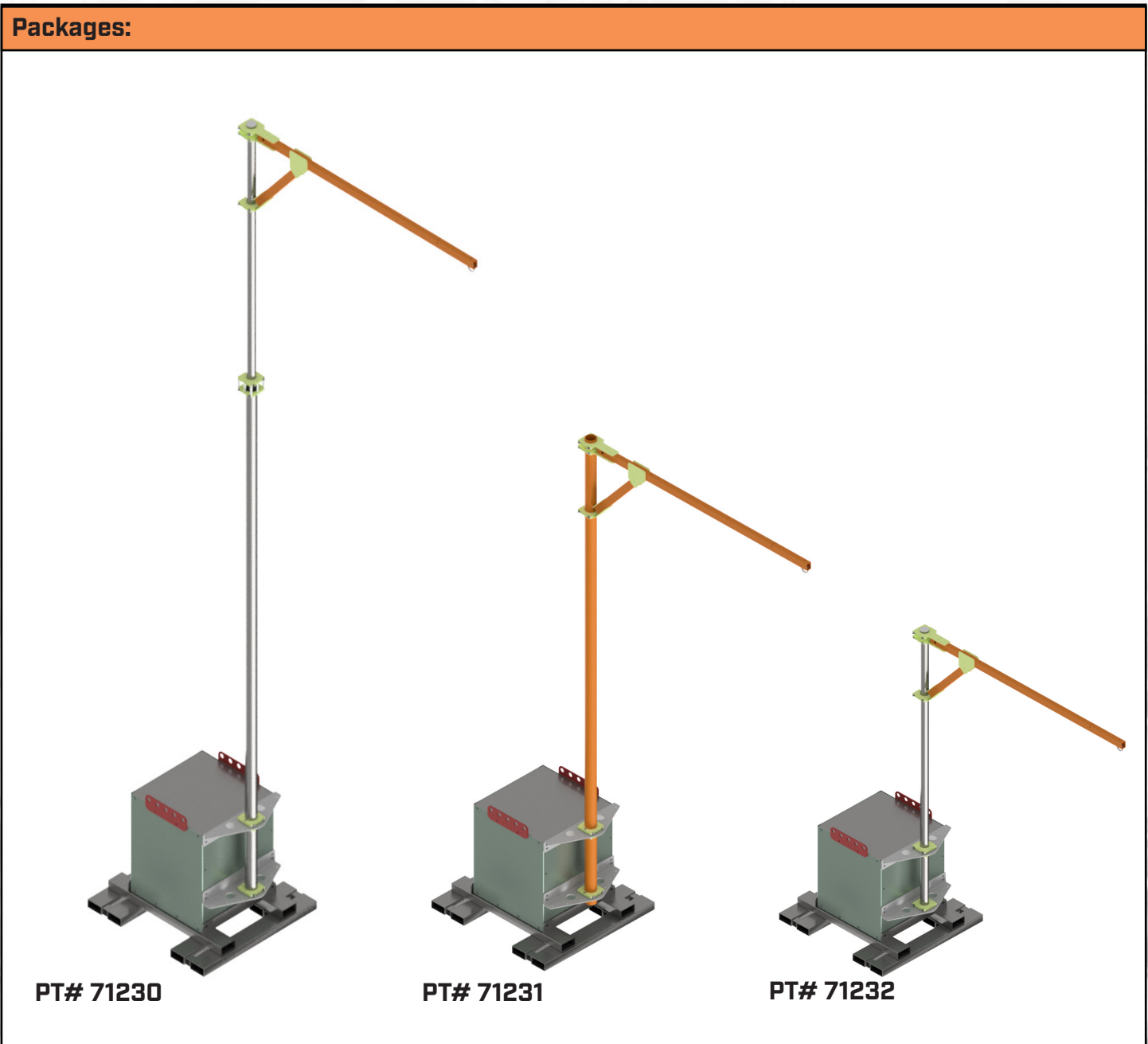
With a variety of davit options available, the Pro-10/200 cube systems can accommodate a variety of worksite conditions.

Part #	Description	Price
70532	Cube Stabilizer Base for Concrete Surfaces (Add 71540 for Soft Surfaces)	
71213	Cube and Stabilizer Base Set (includes 70532 & 71370)	
71222	Connection Clamp Assembly, used to connect 4" and 5" Tube for adjustable mast	
71223	Rail, 20' (6.3m) Includes 1 Trolley	
71254	Leveling Kit for Base 70532	
71273	Two User Trolley Kit (30" Bumper)	
71274	Two User Trolley Kit (72" Bumper)	
71343	Concrete Block Counterweight	
71344	Base, For Concrete Blocks	
71345	Concrete Block Base w/Counterweights	
71370	Cube, including 2 crane 5 position lifting plates	
71371	Complete Mast, 4" (102mm) Vertical tube 13' (4m) height, w/10' (3m) Anchor Point Boom	
71372	Complete Mast, 5" (127mm) Vertical tube 19' (6m) height, w/10' (3m) Anchor Point Boom	
71373	Complete Mast, 4" (102mm)/5" (127mm) Adjustable vertical tubes 22'-29' (7-9m), w/ 10' (3m) Anchor Point Boom	
71540	Cube Stabilizer Plates for Soft Surfaces (70532 add-on)	
<b>Packages: *Includes concrete for cube base</b>		
71230	Single User Cube System w/ 22'-29' (7-9m) Tall Adjustable Mast w/10' (3m) Anchor Point Boom	
71231	Single User Cube System w/ 19' (6m) Tall Mast w/10' (3m) Anchor Point Boom	
71232	Single User Cube System w/ 13' (4m) Tall Mast w/10' (3m) Anchor Point Boom	
71233	Two user User Cube System w/ 22'-29' (7-9m) Tall Adjustable Masts w/10' (3m) Anchor Point Boom	
71234	Three User Cube System w/ 22'-29' (7-9m) Tall Adjustable Masts w/10' (3m) Anchor Point Boom	
71235	20' Rail System - Single User Cube System w/ 22'-29' (7-9m) Tall Adjustable Mast w/10' (3m) Anchor Point Boom. 1 Trolley included (for max 2 users add trolley kit)	
71236	Six User Cube System w/ 22'-29' (7-9m) Tall Adjustable Masts w/10' (3m) Anchor Point Boom	
71340	20' Rail System - Single User Block System w/ 22'-29' (7-9m) Tall Adjustable Mast w/10' (3m) Anchor Point Boom. 1 Trolley included (for max 2 users add trolley kit)	

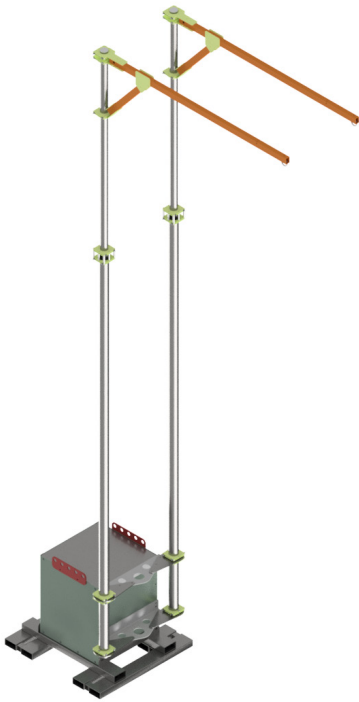




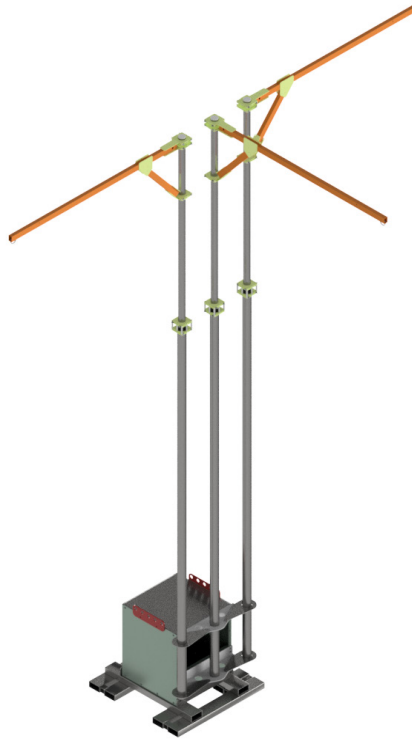
**Packages:**



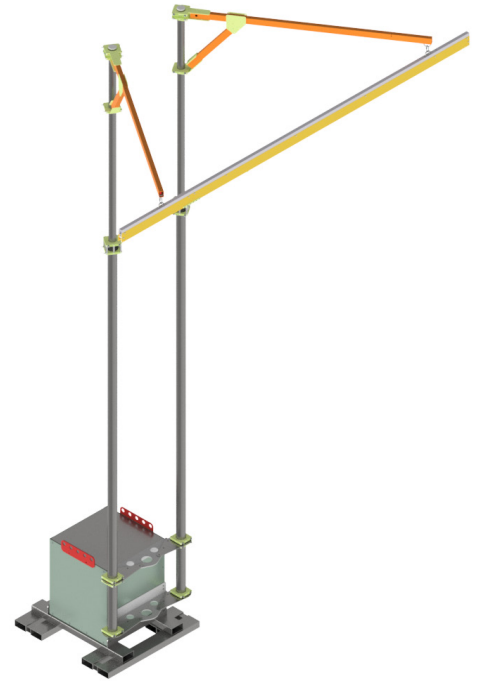
**Packages:**



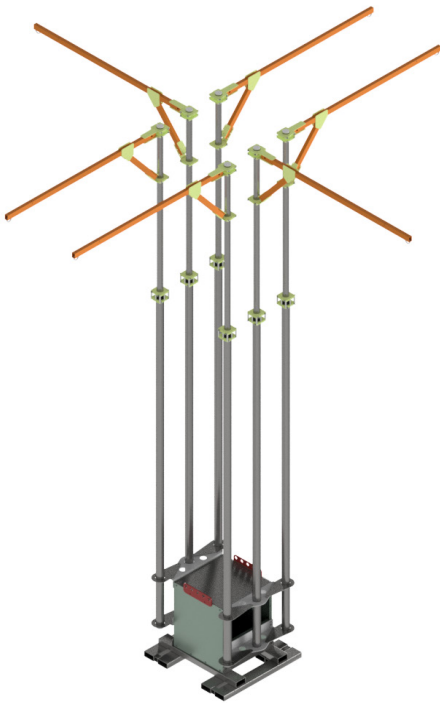
**PT# 71233**



**PT# 71234**



**PT# 71235**



**PT# 71236**



**PT# 71340**

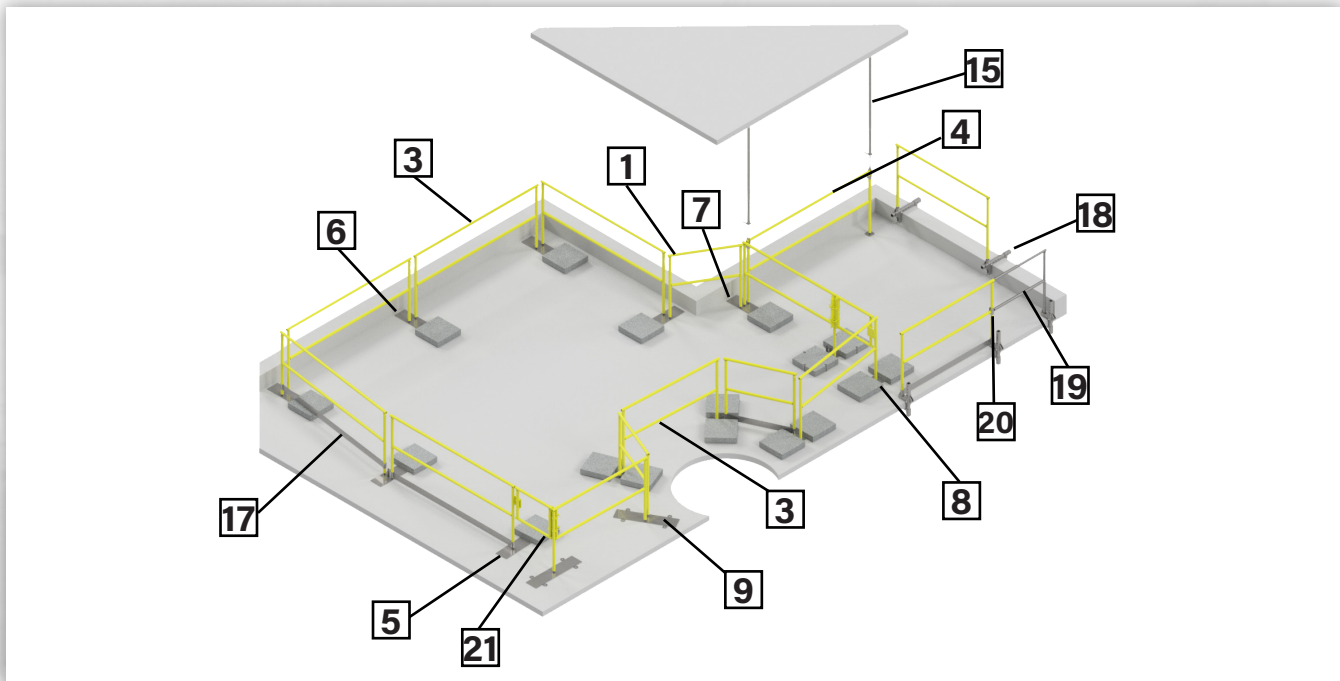


**PT# 71349**

# Hand Railing Systems and Accessories

Tuff-Guard hand railing system is a versatile product that can adapt to a variety of applications, eg: fall protection along roof edges and safe movement on inclined roofs.

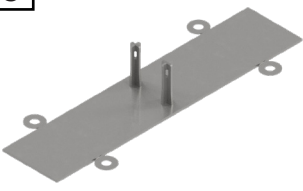
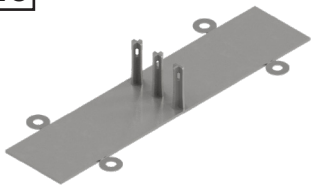


The lightweight construction and interchangeable design of components allows for a wider range of uses and applications.


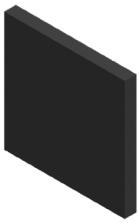




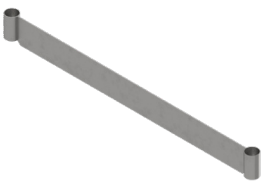



Guardrail, 42"	Guardrail, 72"	Guardrail, 96"	Guardrail, 120"
<b>1</b>	<b>2</b>	<b>3</b>	<b>4</b>
PT# 71108 - Galvanized	PT# 71111 - Galvanized	PT# 71114 - Galvanized	PT# 71191 - Galvanized
PT# 71109 - Yellow	PT# 71112 - Yellow	PT# 71115 - Yellow	PT# 71192 - Yellow
PT# 71110 - Custom Colour	PT# 71113 - Custom Colour	PT# 71116 - Custom Colour	PT# 71193 - Custom Colour

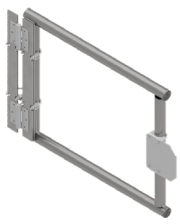
Base, Single Offset	Base, Double Offset	Base, Triple Offset	Base, Single Centre
<b>5</b>	<b>6</b>	<b>7</b>	<b>8</b>
PT# 71117	PT# 71118	PT# 71119	PT# 71120



Base, Double Centre	Base, Triple Centre	Joint Pin	Base, Plate
<b>9</b> 	<b>10</b> 	<b>11</b> 	<b>12</b> 
PT# 71121	PT# 71122	PT# 71123	PT# 71125

Base, Single Pin	Gasket, 1/4" Rubber	Tension/ Support Kit	Tension Screw
<b>13</b> 	<b>14</b> 	<b>15</b> 	<b>16</b> 
PT# 71126	PT# 71127	PT# 71128	PT# 71129

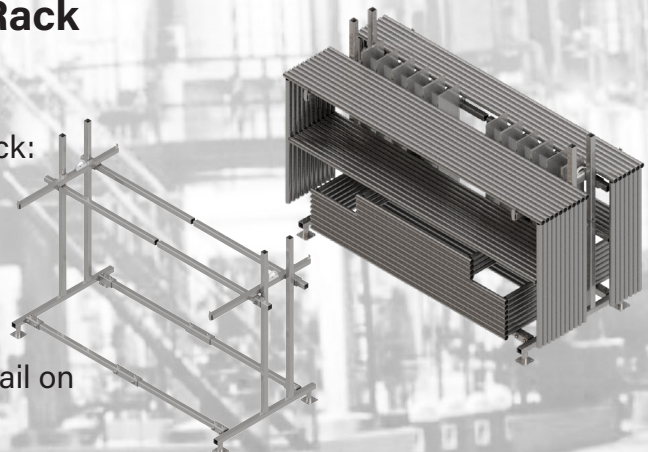
4.00" Kick Plates	Clamp Base, 3 1/4" Slab Parapet	Extendable Rail	Extension Clamp
<b>17</b> 	<b>18</b> 	<b>19</b> 	<b>20</b> 
PT# 71131 - For 42" Rails	PT# 71134	PT# 71124 - 42" Rail	PT# 71137
PT# 71132 - For 72" Rails		PT# 71135 - 72" Rail	
PT# 71133 - For 96" Rails		PT# 71136 - 96" Rail	
		PT# 71197	

Gate, 28" Self Close
<b>21</b> 
PT# 71105 - Galvanized
PT# 71106 - Yellow
PT# 71107 - Custom Colour

## Transportation Rack PT# 141557

Maximum units per track:  
 8' (18 lengths) - 150'  
 6' (8 lengths) - 50'  
 4' (4 lengths) - 18'  
 16 bases

Approximately 220' of rail on the rack.

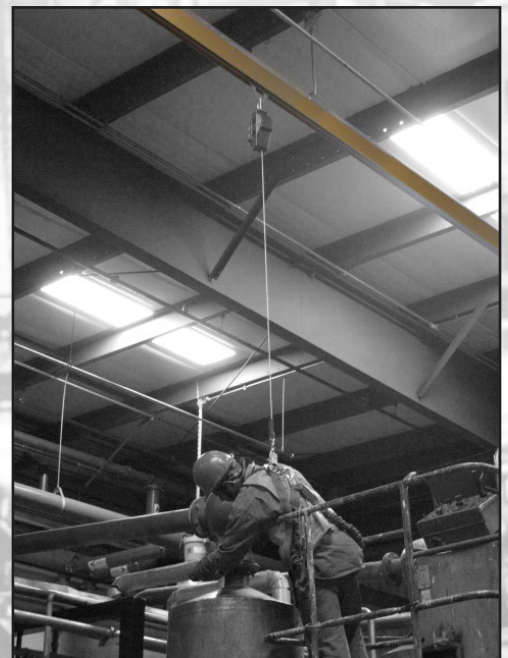


## Horizontal Rail and Trolley Systems

Tuff- Glide Horizontal Rail and Trolley System is a fixed rail system designed for overhead installation to new or existing structure to provide overhead anchor points for personal fall protection.



**Additional reinforcements are required for spans mounted 16' to a maximum of 32'.  
For custom projects, please contact our team.**



Part #	Description	Weight	Price
70050	Tuff-Glide, 1' Rail (2 pieces of track & 1 piece of tube)	2.8 lbs (1.3kgs)	
70051	Trolley, 3.25" eye (304 SS)	3.6 lbs (1.6kgs)	
70055	Trolley, 3.25" eye (Mild Steel CS-500)	3.6 lbs (1.6kgs)	
70060	Bracket, Tuff-Glide Swivel Hanger 2"-2.5" (5cm-6.3cm)	4.8 lbs (2.2kgs)	
70080	Bracket, Tuff-Glide Swivel 3"-3.75" (7.6cm-9.5cm)	5 lbs (2.3kgs)	
70062	Bracket, Tuff-Glide Hanger 2" (5cm)	2.7 lbs (1.3kgs)	
70067	Trolley, 5/8" eye (Mild Steel CS-500)	2.8 lbs (1.3kgs)	
70079	Trolley, 5/8" eye (CS-500) with 30" Bumper	5.3 lbs (2.4kgs)	
71255	Trolley, 5/8" eye (CS-500) with 72" Bumper	11 lbs (5kgs)	
71445	Rail Reinforcement Tube (required when hanging point are greater than 16')	1.4 lbs (0.6kgs)	





**Pro-4 Tripod Rescue (10' 3-Stage)**

Pro-4 Series Tripod Rescue system combines a fully functional tripod with a support structure for cantilever rescue operations. The rescue system features “Tuff-Klik” pin-less adjustment, which eliminates lost or damaged locking pins.



**PT# 20033**

30079  
Wheel Plate  
required

**PT# 20008**

Part #	Description	Weight	Price
20008	Pro-4 Rescue Tripod, 10' 3-stage	82 lbs (37.3kgs)	
30079	Wheel Plate	55 lbs (24.9kgs)	

**Packages:**

Part #	Package	Winch	SRL	SRL Bracket	Structure Bracket	Price
20029	Rescue Tripod w/Winch and Winch Brackets	60217	-	-	60101	
20030	Rescue Tripod w/Winch, Winch Brackets, SRL, SRL Brackets	60217	60057	60176	60101 (x2)	
20031	Rescue Tripod w/SRL and SRL Brackets	-	60057	60176	60101	
20032	Rescue Tripod w/Hanging SRL	-	60055	60035	-	

## Rescue Strut

Tuff Built's unique, lightweight, and pin-less rescue struts are designed to provide economic solutions for motor vehicle accident scenes where vehicle stabilization is required.

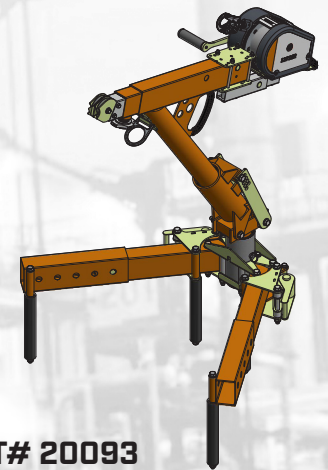


Part #	Description	Weight	Collapsed Length	Max. Extended Length	Price
30100	Pro-1 Rescue Strut 8' (2.43m)	26.3 lbs (11.9kgs)	3' 11" (0.95m)	8' 2" (2.50m)	
30101	Pro-1 Rescue Strut 14' (4.26m)	33.7 lbs (15.2kgs)	5' 1" (1.55m)	14' (4.27m)	

## Manhole Collar

The Manhole Collar is designed for flat or angled manholes in a confined working space. The manhole collar base is equipped with an adjustable sleeve.

Part #	Description	Weight	Price
30308	Base, Manhole Collar (18" to 36")	48 lbs (22 kgs)	
30310	Sleeve, Adjustable Manhole Collar	17 lbs (7.7kgs)	
30311	Davit, Pro-3 Manhole Collar	26 lbs (11.8 kgs)	
<b>Packages:</b>			
20093	Pkg: Manhole Collar, Winch, and Davit	125 lbs (57 kgs)	



PT# 20093

## Rescue Platform

The Rescue Platform is designed to be used in conjunction with a horizontal entry system [PT# 20073]. The purpose for the Rescue Platform is to assist in the extraction of an unconscious worker from a confined space.

Part #	Description	Weight	Price
30288	Horizontal Entry Rescue Platform	55 lbs (25 kgs)	



PT# 30288

Pro-Series Portable Fall Arrest Anchor Posts are designed to anchor to various work surface mounted anchor plates.

## Tripod

Designed for use on transformers or similar elevated surfaces, the PRO-3 Tripod ( PT# 30137) provides three separate fall protection-rated anchor points in a lightweight portable package that installs quickly without any tools.

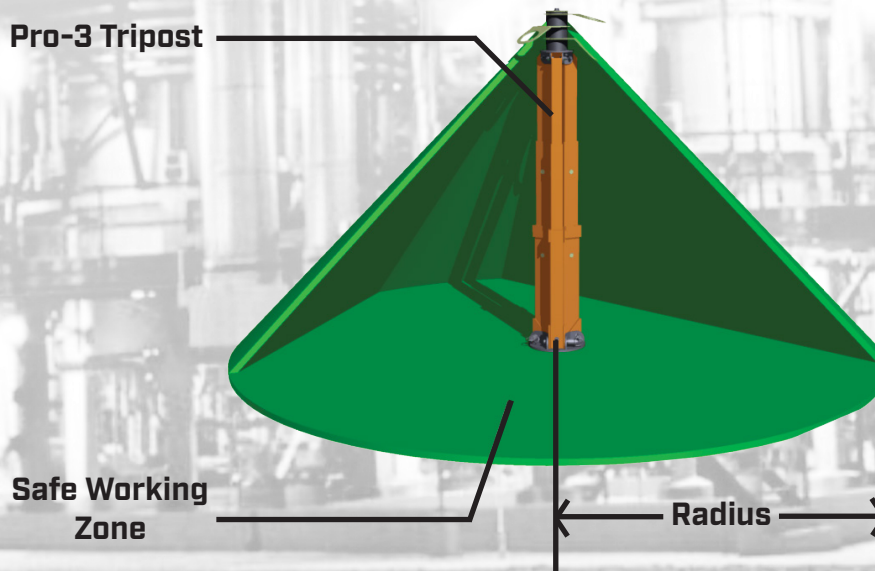


Part #	Description	Anchor Points	Height Max	Height Collapsed	Weight	Price
30147	Tripod, Pro-2	2	171" [4.28m]	71" [1.83m]	66 lbs [30kgs]	
30137	Tripod Pro-3	3	55" [1.39m]	30" [0.76m]	33 lbs [15kgs]	

Workers must stay within the Safe Working Area while attached to the Tripod in accordance with the manufacturer's instructions, to ensure protection as intended by the equipment.

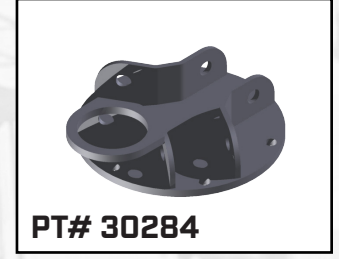
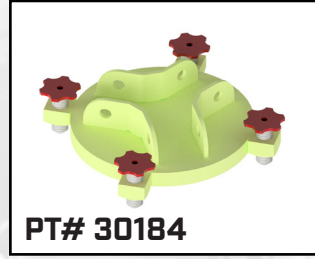
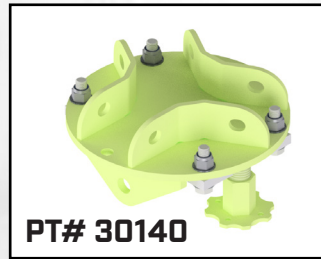
Values shown assume the following conditions; The work surface is at the same elevation as the surface to which the mounting base is installed.

Each worker weighs 310lbs or less, including all clothes, tools and accessories, and is connected to the post using a self-retracting lifeline (SRL) with a Maximum Arrest Force (MAF) rating of 900 lbs(4 kN) or less.



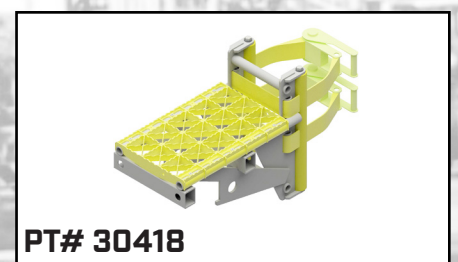
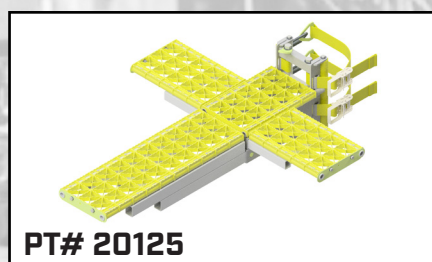
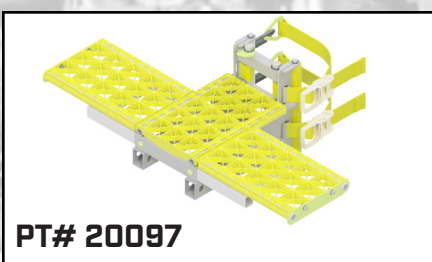


Part #	Description	Weight	Price
30139	Base, Bolt on Tripost	10.3 lbs [4.7kgs]	
30144	Base, Weld on Tripost	10.3 lbs [4.7kgs]	
30130	Base, Analog Weld on Fall Arrest Post	9.3 lbs [4.2kgs]	
30140	Base, Tripost for Analog Base	16.2 lbs [7.4kgs]	
30149	Base, Tripost Mount for Proman Base	12.2 lbs [5.5kgs]	
30184	Base, Tripost Mount for Trench Plate [1.25 coil Thread]	37 lbs [16.8kgs]	
30248	Base, Analog Weld on Fall Arrest Post w/ tied off anchor	10.2 lbs [4.6kgs]	
30284	Base, Weld on Tripost w/ tied off anchor (1)	10.9 lbs [4.9kgs]	
30285	Base, Weld on Tripost w/ tied off anchors (3)	12.4 lbs [5.6kgs]	
30287	Davit Arm, Tripost Assembly	14 lbs [6.4kgs]	



## Pole Stand

Part #	Description	Weight	Price
30344	Add-on Step for Pole Stand	4 lbs [1.8kgs]	
30419	Platform, Front		
30418	Pole Stand Assembly [Double Strap, Center]		
<b>Packages:</b>			
20097	Pole Stand Assembly (30418 x1, 30344 x2)	28 lbs [12.7kgs]	
20125	Pole Stand Assembly (30418 X1, 30344 X2, 30419 X1)	42 lbs [19kgs]	



**BEST Stair Systems**

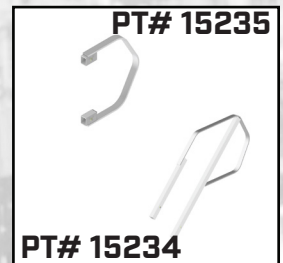
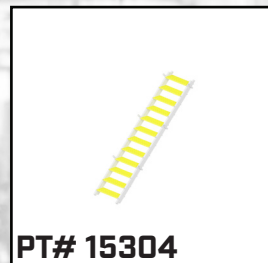
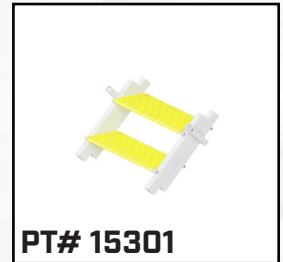
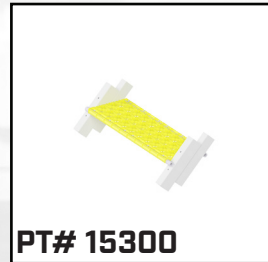


Best Stair Systems are a modular series of our temporary access stair systems and can be used for a variety of applications.

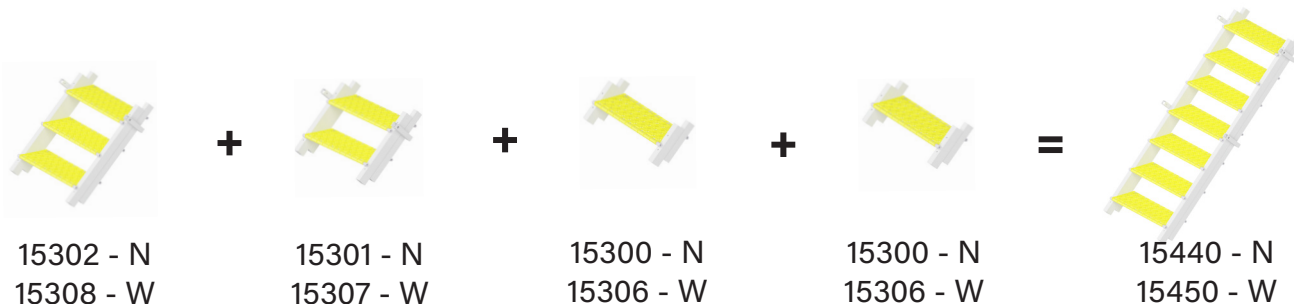
This series is ergonomically designed at a 45-degree angle to provide workers with safe and efficient access.

**30-50% faster than using traditional ladders!**

Part #	Description	Price
15234	Bottom End Loop (Narrow & Wide)	
15235	Top End Loop (Narrow & Wide)	
15300	Best Stair, 1 Step Narrow	
15301	Best Stair, 2 Step Narrow	
15302	Best Stair, 3 Step Narrow	
15303	Best Stair, 8 Step Narrow	
15304	Best Stair, 12 Step Narrow	
15305	Best Stair, 16 Step Narrow [ 2x 15303]	
15306	Best Stair, 1 Step Wide	
15307	Best Stair, 2 Step Wide	
15308	Best Stair, 3 Step Wide	
15309	Best Stair, 8 Step Wide	
15310	Best Stair, 12 Step Wide	
15311	Best Stair, 16 Step Wide [ 2x 15309]	
15312	Top Landing (Narrow)	
15313	Top Landing (Wide)	
15314	Bottom Base [ Narrow & Wide]	
15315	Post	
142100	Connector [#3 x 12.00]	
142101	Connector [#2 x 12.00]	
142131	Handrail [#2 x 46.00 oal]	
142141	Handrail [#2 x 34.00 oal]	



1-5FT Tall, 3-7 Steps



All Best Stair System Packages come complete with 2x Top End Loops (15235), 2x Bottom End Loops (15234), 1 x Top Landing (15312 or 15313), 1x Bottom Base (15314), and all applicable handrails, connectors, and posts.

Packages:			
15440	Package, 1-5' with 3-7 steps (Narrow)	15302 + 15301 + 15300 + 15300	
15441	Package, 6-9' with 3-11 steps (Narrow)	15303 + 15301 + 15300	
15442	Package, 9-12' with 3-15 steps (Narrow)	15304 + 15301 + 15300	
15443	Package, 11-14' with 3-19 steps (Narrow)	15305 + 15301 + 15300	
15444	Package, 11-17' with 3-23 steps (Narrow)	15305 + 15302 + 15302 + 15300	
15445	Package, 6-23ft with 3-31 steps (Narrow)	15305 + 15303 + 15302 + 15302 + 15300	
15446	Package, 8-26' with 3-35 steps (Narrow)	15305 + 15304 + 15302 + 15302 + 15300	
15298	Narrow Accessory Package, 1 Top, 1 Bottom, 2 Top End Loops, 2 Bottom End Loops	15235 + 15354 (x 2) + 15312 + 15314	
15450	Package, 1-5' with 3-7 steps (Wide)	15308 + 15307 + 15306 + 15306	
15451	Package, 6-9' with 3-11 steps (Wide)	15309 + 15307 + 15306	
15452	Package, 9-12' with 3-15 steps (Wide)	15310 + 15307 + 15306	
15453	Package, 11-14' with 3-19 steps (Wide)	15311 + 15307 + 15306	
15454	Package, 11-17' with 3-23 steps (Wide)	15311 + 15308 + 15308 + 15306	
15455	Package, 6-23' with 3-31 steps (Wide)	15311 + 15309 + 15308 + 15308 + 15306	
15456	Package, 8-26' with 3-35 steps (Wide)	15311 + 15310 + 15308 + 15308 + 15306	
15299	Wide Accessory Package, 1 Top, 1 Bottom, 2 Top End Loops, 2 Bottom End Loops	15235 + 15354 (x 2) + 15313 + 15314	



## Tuff Step

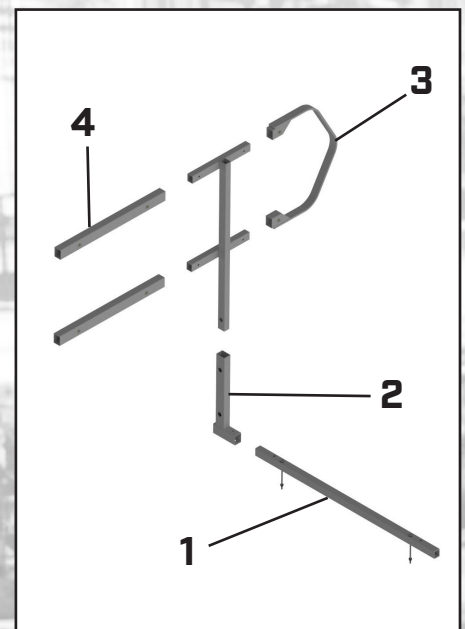
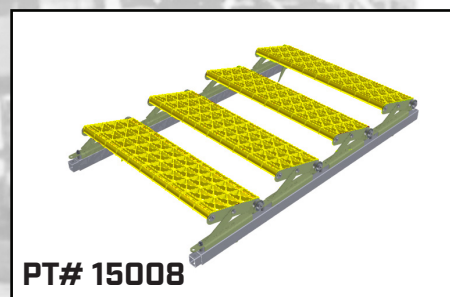
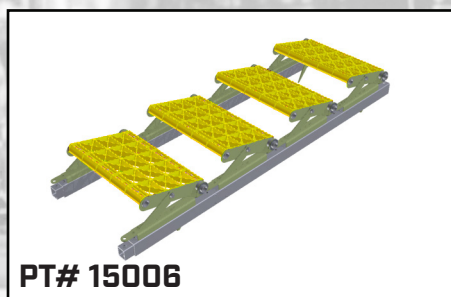
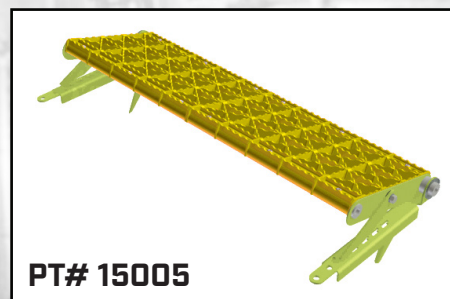
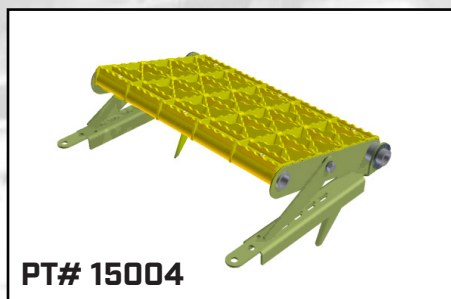
Tuff- Step provides safe temporary working access to most sloped surfaces where anchoring is possible. May be used as individual stairs or joined together for longer runs. Possible uses include road/rail embankments, riverbanks, gravel pits, earth retaining walls, trenching, access to accident sites, construction sites, vehicles, general hilly terrain and temporary access between building levels.

Can also provide safe temporary bridging over small holes and uneven terrain.

Part #	Description	Weight	Price
15004	Single Step with Ground Spikes (Narrow)	6.4lbs (2.9kgs)	
15005	Single Step with Ground Spikes (Wide)	9.8lbs(4.5kgs)	
15006	4 Step Section (Narrow)	31.4lbs(14.3kgs)	
15007	8 Step Section (Narrow)	62lbs(28.2kgs)	
15008	4 Step Section (Wide)	45.1lbs(20.5kgs)	
15009	8 Step Section (Wide)	90lbs(40.9kgs)	

### Add Ons:

Part #	Description	Photo #	Price
15076	Handrail, Connection Tube (Narrow)	1	
15075	Handrail, Connection Tube (Wide)	1	
15078	Handrail, Post Assembly	2	
15085	Handrail, End Rail	3	
15082	Handrail, Adjustable [ 2pcs, 72" to 115" / 1829 to 2921 mm]	4	



Para-Stair Systems are self-supporting stair for accessing elevated work surfaces. Para-Stair Systems are designed so that the stair tread remains level over an operating range of 30° to 60°.

All systems include handrails on both sides, top and bottom mounting brackets.



Narrow	Wide	Description	Height range	Price
15104	15111	Para-Stair Assembly, 4 Step	2'-6" to 4'-4"	
15105	15112	Para-Stair Assembly, 6 Step	3'-6" to 6'-1"	
15103	15113	Para-Stair Assembly, 8 Step	4'-6" to 7'-9"	
15106	15114	Para-Stair Assembly, 10 Step	5'-9" to 9'-6"	
15107	15115	Para-Stair Assembly, 12 Step	6'-6" to 11'-3"	
15255	15256	Para-Stair Assembly, 14 Step	7'-5" to 12'-10"	
15102	15120	Para-Stair Assembly, 16 Step	8'-6" to 14'-8"	
15225	15129	Para-Stair Assembly, 18 Step	9'-5" to 16'-4"	
15100	15121	Para-Stair Assembly, 20 Step	10'-6" to 18'-2"	
15110	15367	Para-Stair Assembly, 24 Step*	12'-6" to 21'-8"	
15168	15249	Para-Stair Assembly, 26 Step*	13'-6" to 23'-4"	
15101	15224	Para-Stair Assembly, 28 Step*	14'-5" to 25'	
15275	15267	Para-Stair Assembly, 30 Step*	15'-5" to 26'-8"	
15268	15259	Para-Stair Assembly, 32 Step*	16'-5" to 28'-5"	
-	15277	HD, Para-Stair Assembly, 40 Step*	20'-5" to 35'-5"	

\*includes support brace

Common Parts:	
15233	Post, Wide Steps
15236	Post, Narrow Steps
15137	Para-Stair. Bottom Anchor (2pcs)
15247	Para-Stair. Top Anchor (2pcs)
15234	End Loop, Small
15235	End Loop, Large
15192	Support Brace, Narrow
15197	Support Brace, Wide
15226	Top / Bottom Mounting Brackets (Wide/Narrow)



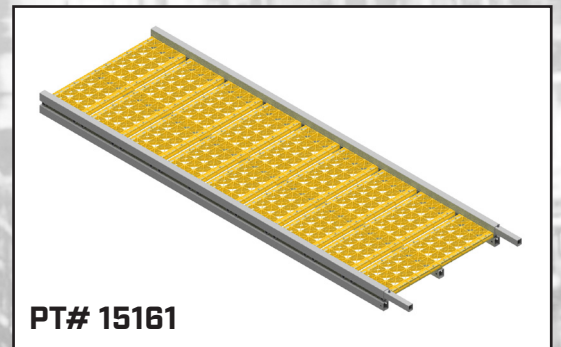
## TS Walkway

TS Walkway is designed to provide safe, clean accessibility on job sites where weather and/or heavy equipment has made the ground terrain inaccessible.

Features:

1. Lightweight
2. Heavy duty, non-slip, UV stabilized polyurethane plastic.
3. Open tread design prevents buildup of ice, snow, and/or mud.
4. Maximum load is 900lbs (409.1 kgs) per sqft.
5. Can be used on slopes up to 20°.

Corner and Tee Walkway sections, along with a variety of handrail and post designs allow for custom layout for your job site.

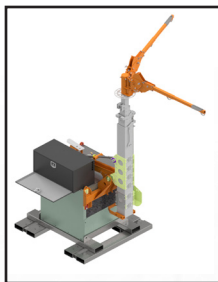


Part #	Description	Price
15161	TS Walkway, 9W X 97.35"	
15162	TS Walkway, 3W Corner 90	
15163	TS Walkway, 3W Tee	
15165	TS Walkway, Spike	
15166	TS Walkway, Post	
15182	TS Walkway, Post	
15192	TS Walkway, Inside Corner Post	
15183	TS Walkway, Handrail 73.00" (2pcs)	
15184	TS Walkway, Handrail 171.00" (2pcs)	
15185	Adjustable Handrail 97.50" to 150.00" (2pcs)	
15082	Adjustable Handrail 72.00" to 115.00" (2pcs)	
15186	TS Walkway, Connector	

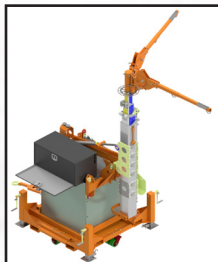


# Exosphere Customizable Portable Fall Protection Anchor

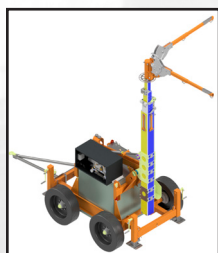
## Exosphere Anchor System Packages



Exosphere Anchor Systems provide an adjustable anchor point height up to 42' for 2 users. With a variety of base options, mast heights, and lifting operations. Our most requested Exosphere Anchor system packages are the foldable, 12V Electric/Hydraulic system that is operated with simple instructions and the push of a button.



*Other packages are available, contact us for more information.*



Part #	Max Anchor Height	Description	Price
71443	28'	Exosphere Anchor System, 12V, forklift base, foldable (24')	
70797	42'	Exosphere Anchor System, 12V, forklift base, foldable (38')	
70994	28'	Exosphere Anchor System, 12V, indoor push/pull, foldable (24')	
70939	42'	Exosphere Anchor System, 12V, indoor push/pull, foldable (38')	
71444	28'	Exosphere Anchor System, 12V, outdoor push/pull, foldable (24')	
70864	42'	Exosphere Anchor System, 12V, outdoor push/pull, foldable (38')	

## Simplicity Exosphere Anchor System

Our Simplicity Exosphere Anchor Systems provide an adjustable anchor point height up to 26' for 2 users. These simple to use systems come with winch lifting operations. With two base options, forklift stabilizer base or our on-site towable trailer.

Part #	Max Anchor Height	Description	Weight	Price
71212	26'	Simplicity, Exosphere Anchor System (24') w/forklift base	8000 lbs (3636kgs)	
71304	26'	Simplicity, Exosphere Anchor System (24') w/forklift base. 1/3 cube	4500 lbs (2041kgs)	
70999	26'	Simplicity, Exosphere Anchor System (24') w/on-site towable trailer	5600 lbs (2545kgs)	



## Build your own - Exosphere Anchor Systems

Anchor Arms			
A	Part #	Description	Price
	70693	10" Triple 360° rotation anchors	
	70747	48" Double 360° / 180° rotation arms	
	70917	72" Double 360° / 180° rotation arms	
	71291	72" Foldable Double 360° / 180° rotation arms	

Masts			
B	Part #	Description	Price
	70613	Hydraulic 24' four stage	
	70614	Hydraulic 30' four stage	
	70615	Hydraulic 38' four stage	
	70976	Winch Operated 24' four stage	

Mounting Brackets			
C	Part #	Description	Price
	70697	Permanent vertical (used with 70700, 70973, & 70701)	
	70699	Foldable Hydraulic	

Cubes			
D	Part #	Description	Price
	70694	3,350 lbs, Cube with concrete (used for 24' masts ONLY)	
	70995	4,790 lbs, Cube with concrete	
	70696	6,740 lbs, Cube with concrete	

Lifting Power Devices			
E	Part #	Description	Price
	70700	Winch (24' mast ONLY)	
	70701	Manual Hydraulic for vertical lift only (all bases)	
	70969	Manual Hydraulic for vertical and foldable lift (all bases)	
	70972	12v Hydraulic for vertical and foldable lift (all bases)	
	70973	12v Hydraulic for vertical only (all bases)	

Stabilized Transport Bases			
F	Part #	Description	Price
	70497	Transport base for soft terrain (outdoor push/pull)	
	70661	Transport base for finished floor (indoor push/pull)	
	70532	Stabilizer for concrete (for soft terrain use add-on 71540)	



Factory option build add-ons				
G	Part #	Description	Price	
	70895	Solar Panel Kit (12V only)		
	70881	Leveling Kit for Vertical (30/38' only)		
	70516	Leveling kit for Foldable		
	70690	Leveling kit for Vertical (18'/24' only)		
	71210	Rescue Bracket (Up to 2 users - devices & device brackets not included)		
	Add-ons			
	71540	Soft Surface Base Plates		
70988	Anchor Point Adjustable (vertical only)			

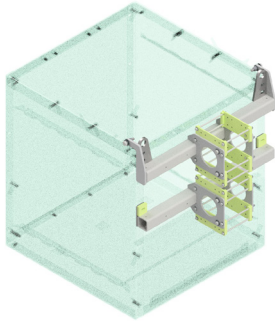
Follow the example provided below to create a custom code for your exosphere. When contacting a sales representative/distributor please use the code to ensure ease of pricing and/or drawings.

A  - B  - C  - D  - E  - F  - G

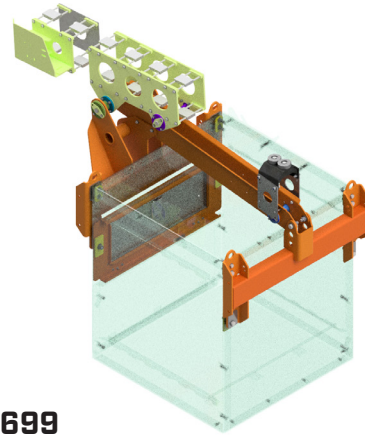
Fill each square with the corresponding part number desired. Once completed you will have created your custom exosphere code.



## Mounting Brackets



**PT# 70697**  
**Permanent Vertical Mounting Bracket**



**PT# 70699**  
**Foldable Hydraulic Mounting Bracket**

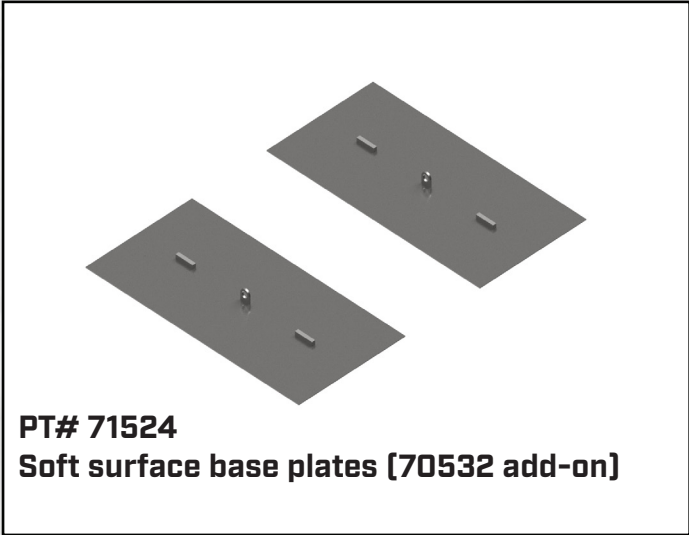
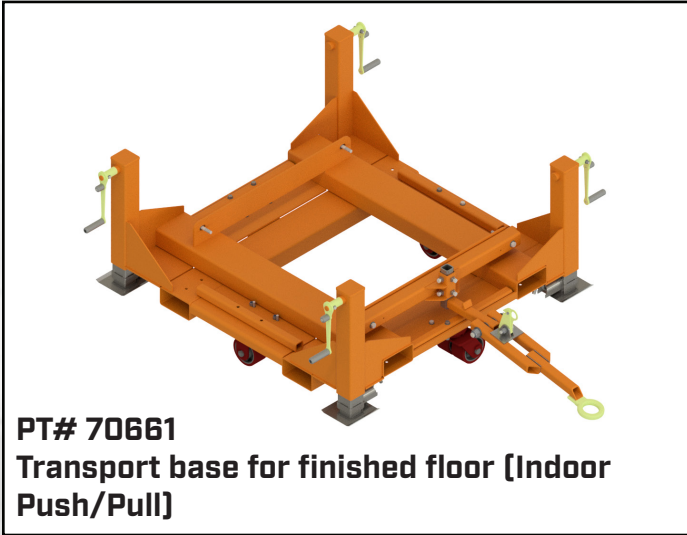
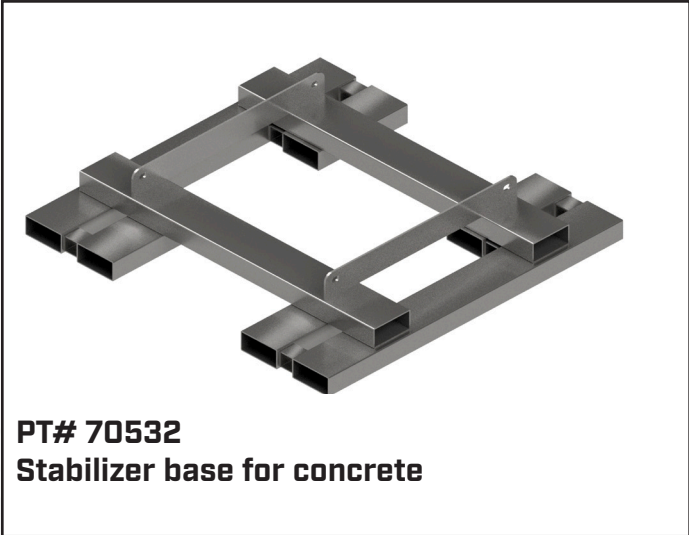
## Accessories



**PT# 71210**  
**Rescue Bracket Kit**

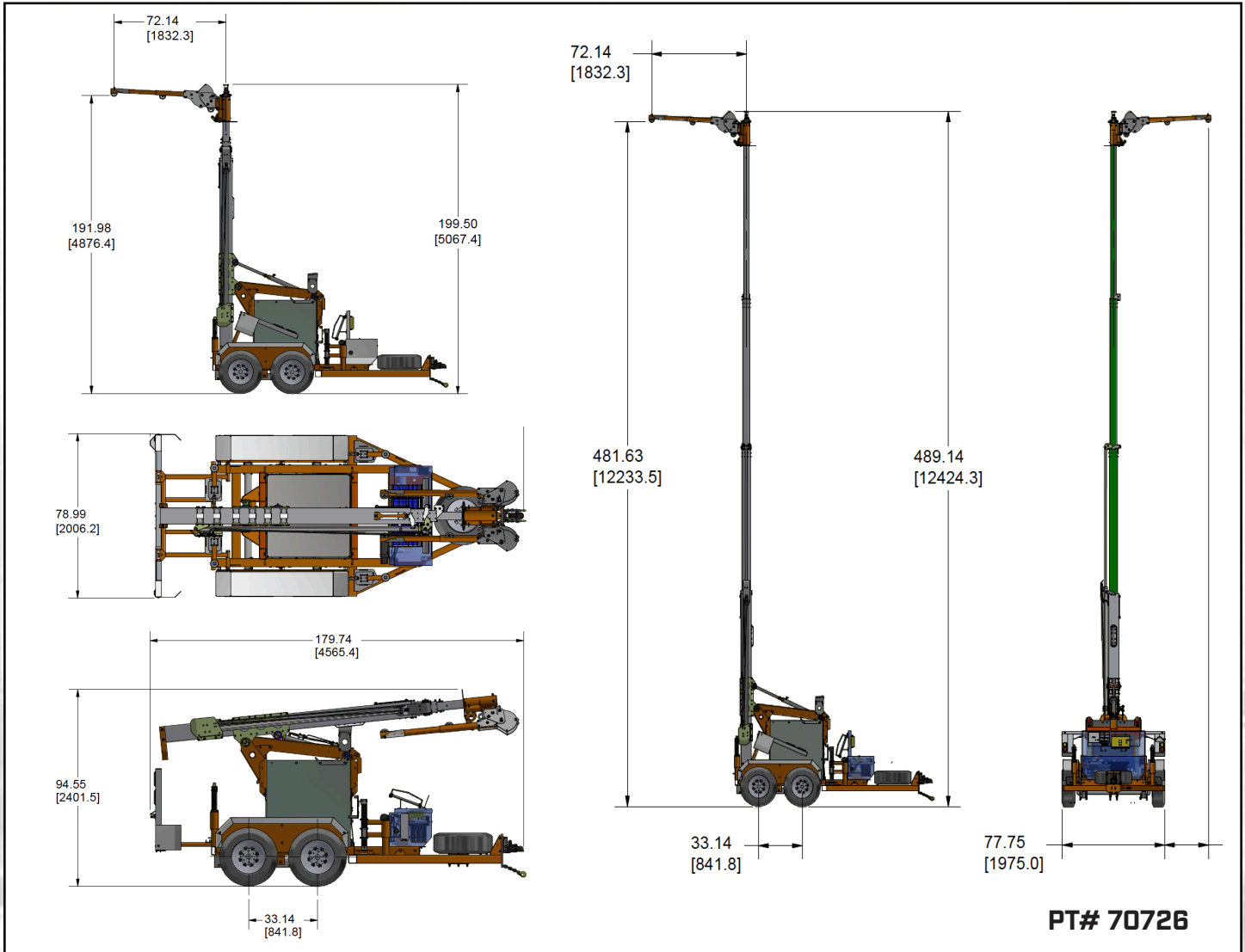


**PT# 70516**  
**Leveling Kit for Foldable**



# Exosphere Highway Trailer Fall Protection Anchor System

The Exosphere Anchor Highway Trailer system is a self-contained 12V Electric/Hydraulic system that is operated via simple valve operation. Setup and Anchor height adjusting is all carried out with simple to follow controls. Full spare tire and solar panel included.



Part #	Max Anchor Height	Anchor Points	Description	Price
70724	28'	2	Exosphere Anchor System, Highway Trailer (24')	
70726	42'	2 - 4	Exosphere Anchor System, Highway Trailer (38')	

**OTHER HEIGHTS AVAILABLE. CONTACT OUR OFFICE.**



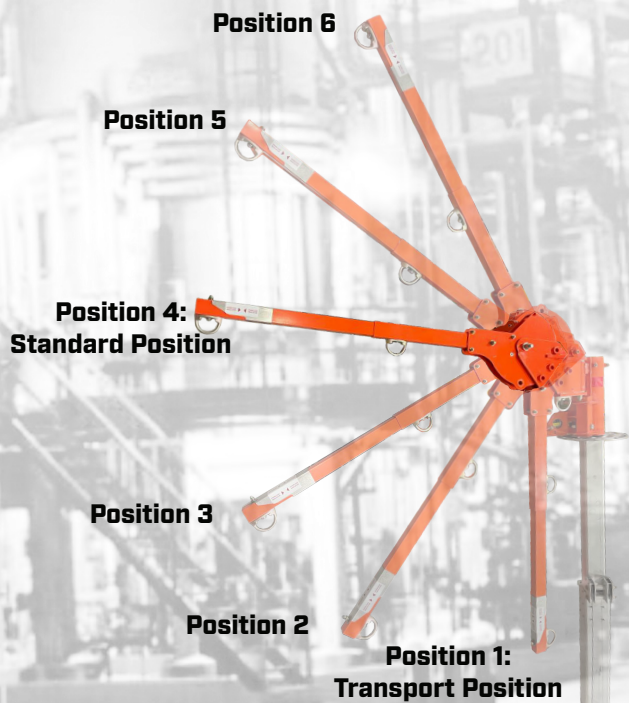


**Confined Space Rescue Bracket PT#71210**

The Confined Space Rescue Kit allows workers to be tied off from the ground up while working in confined spaces. This kit can be used to enter confined spaces as low as 80ft.

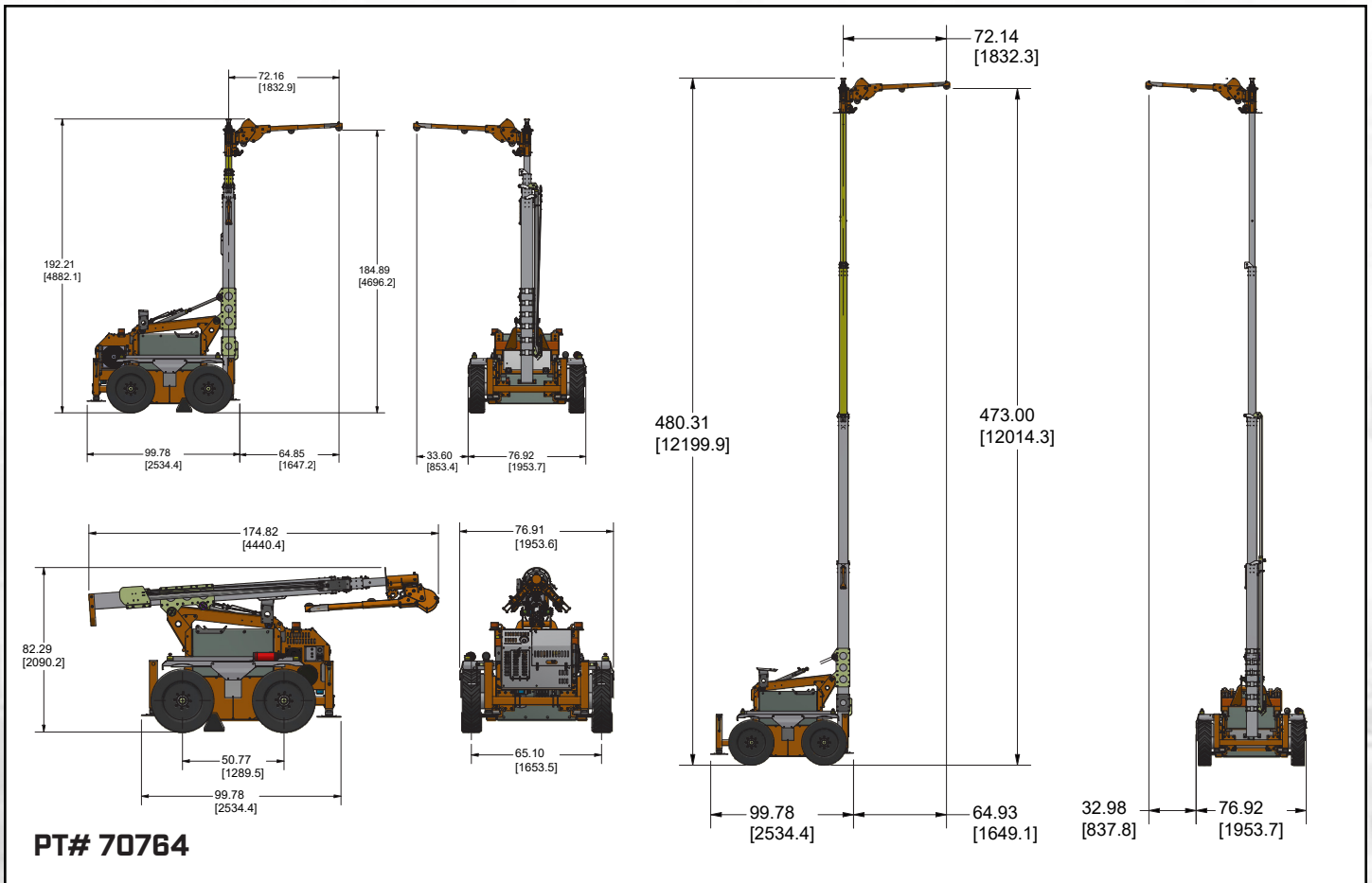
**Foldable Arms PT#71291**

All standard Exosphere Highway Trailers packages come equipped with the foldable arms for easy and quick set up. Each arm has 6 positions.



# Exosphere All-Terrain Fall Protection Anchor System

The All-Terrain 4x4 Exosphere Anchor system is a self-contained hydraulic system that is operated via wireless (or wired) remote control. Driving, setup and anchor height adjustment is all carried out with a simple to follow remote control.



	Part #	Max Anchor Height	Anchor Points	Description	Price
<b>Gasoline Fueled</b>	70929	28'	2	Exosphere Anchor System, 4x4 All Terrain Gasoline (24')	
	70764	42'	2 - 4	Exosphere Anchor System, 4x4 All Terrain Gasoline (38')	
<b>Propane Fueled</b>	70936	28'	2	Exosphere Anchor System, 4x4 All Terrain Propane (24')	
	70924	42'	2 - 4	Exosphere Anchor System, 4x4 All Terrain Propane (38')	

**OTHER HEIGHTS AVAILABLE. CONTACT OUR OFFICE.**



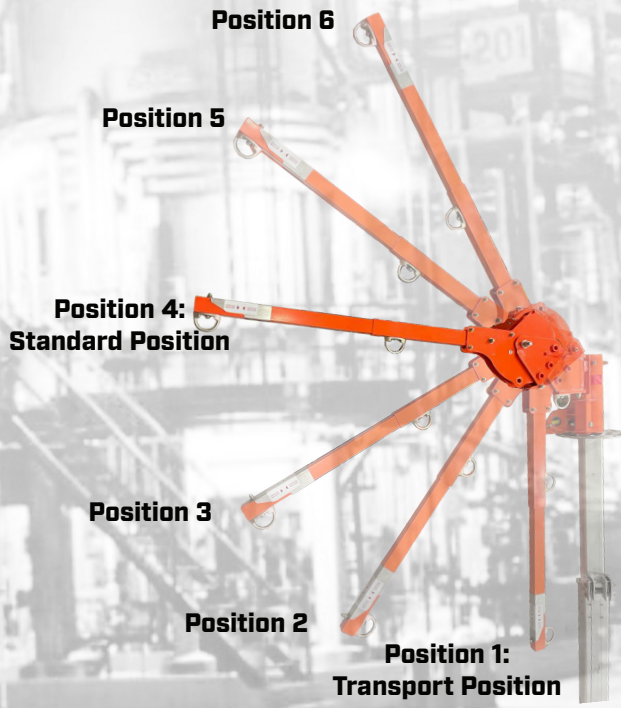


**Confined Space Rescue Kit PT# 71210**

**Foldable Arms PT#71291**

The Confined Space Rescue Kit allows workers to be tied off from the ground up while working in confined spaces. This kit can be used to enter confined spaces as low as 80ft.

All standard Exosphere All Terrain 4x4 packages come equipped with the foldable arms for easy and quick set up. Each arm has 6 positions.







**TUFF BUILT**  
PRODUCTS INC.

**Mailing Address:**

122 Paquin Road  
Winnipeg, MB, Canada, R2J 3V4

Toll Free: 1-877-422-6053  
Tel: 1-204-222-4025  
Fax: 1-204-222-4080  
[www.tuffbuiltproducts.com](http://www.tuffbuiltproducts.com)